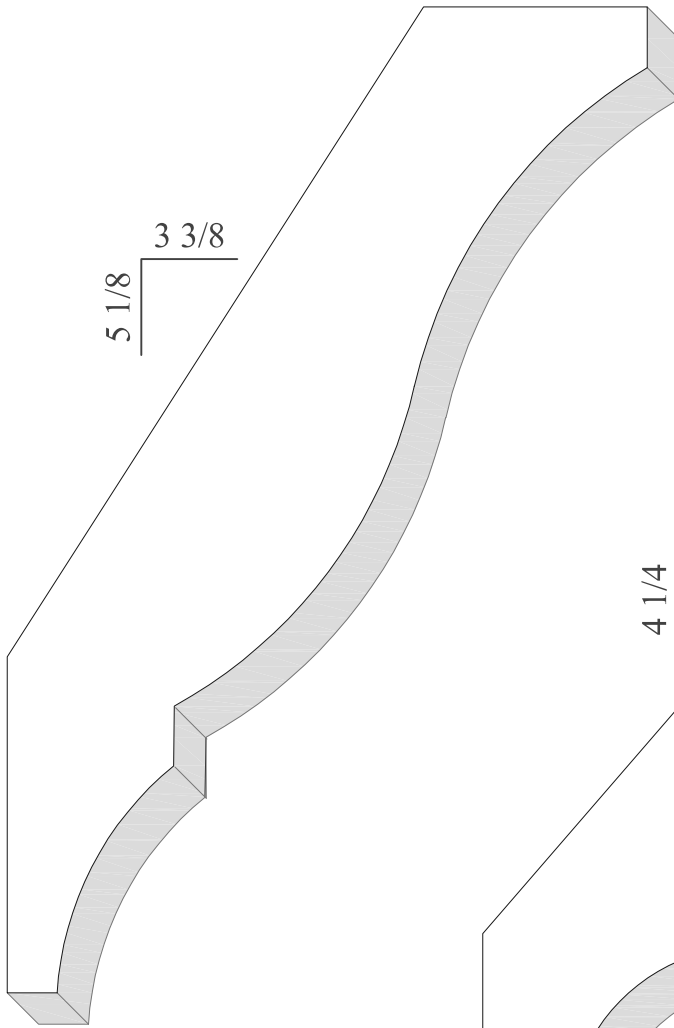
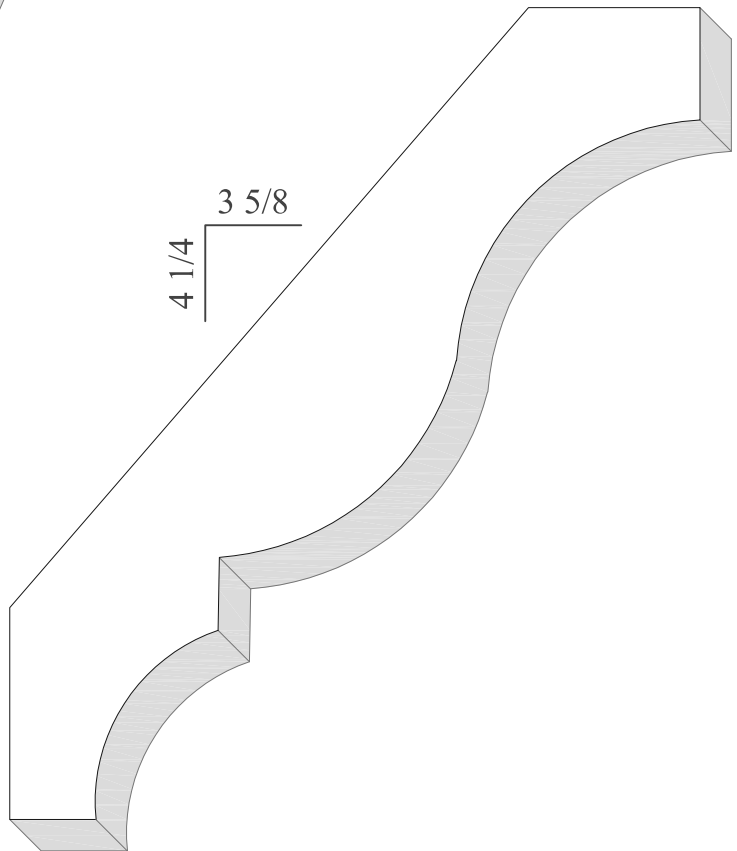


CT MOLDINGS

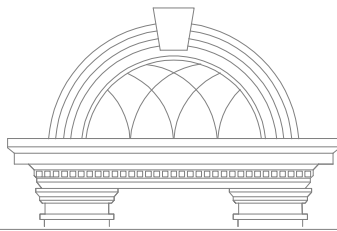
CROWN



CTM | CR | 2001

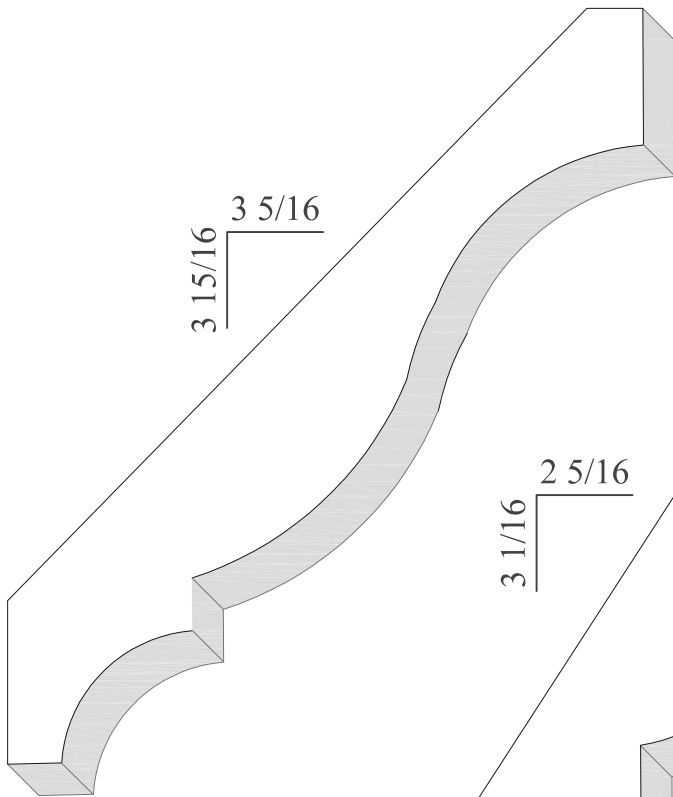


CTM | CR | 2002

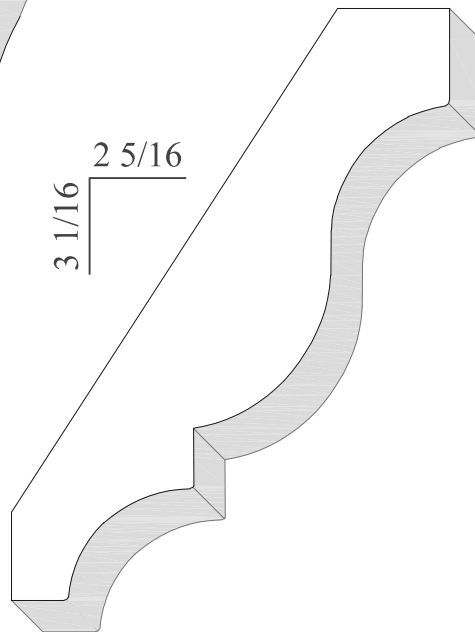


CT MOLDINGS

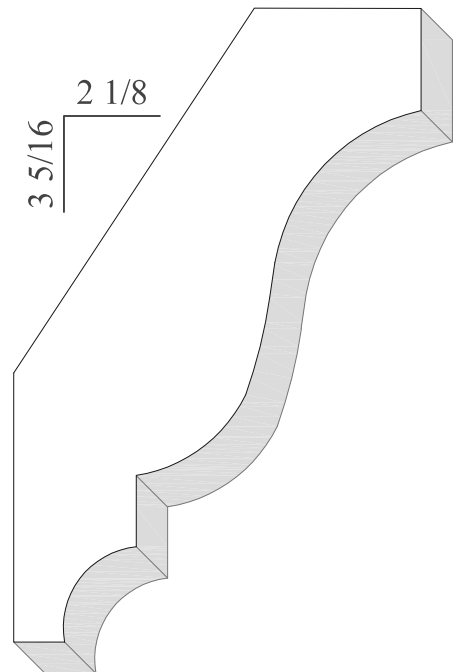
CROWN



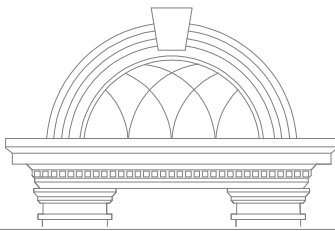
CTM | CR | 2003



CTM | CR | 2003.1

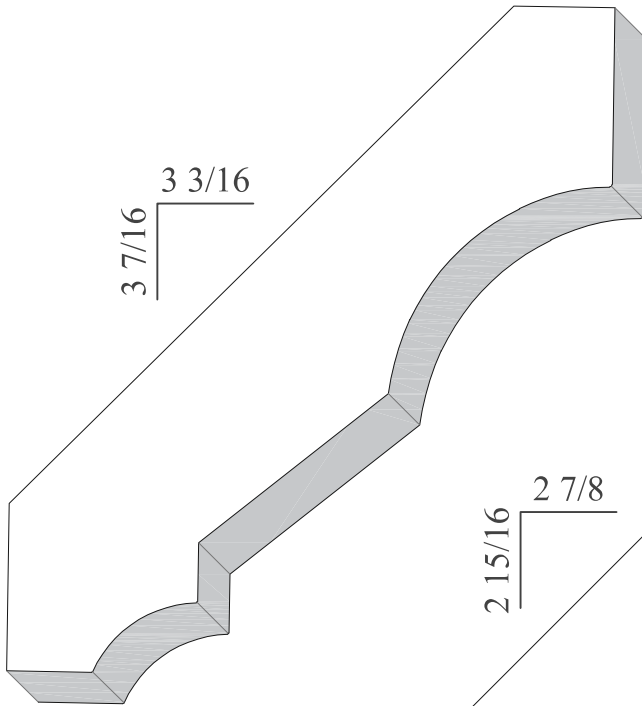


CTM | CR | 2004

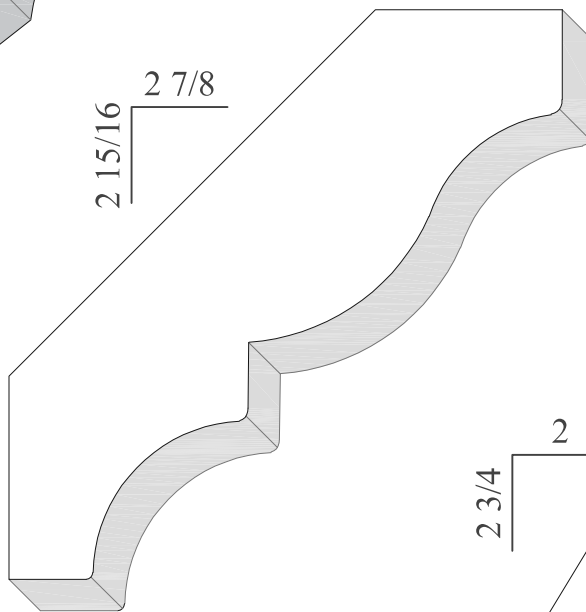


CT MOLDINGS

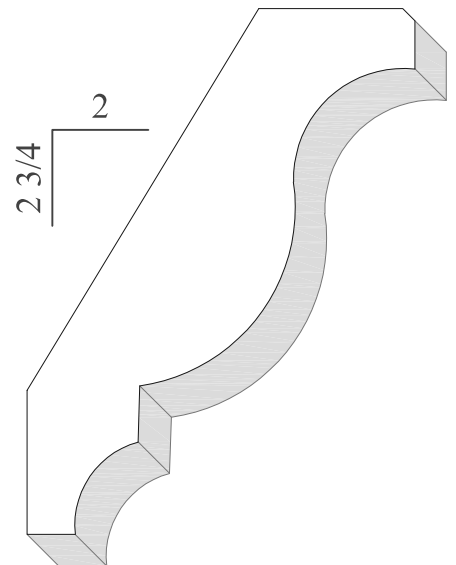
CROWN



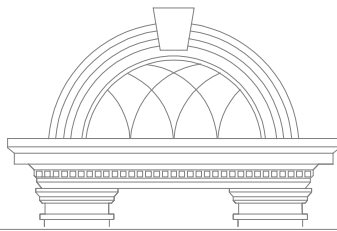
CTM | CR | 2004.1



CTM | CR | 2005

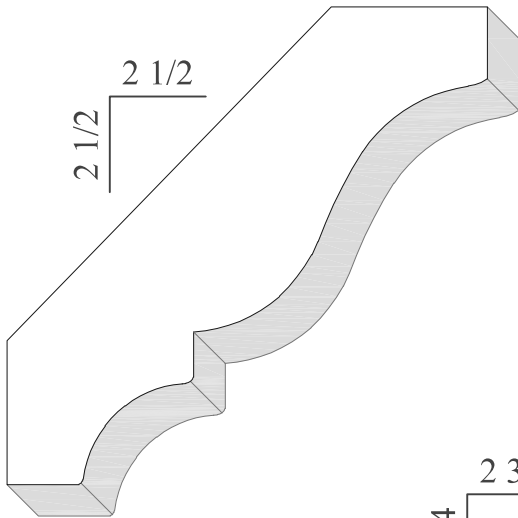


CTM | CR | 2006

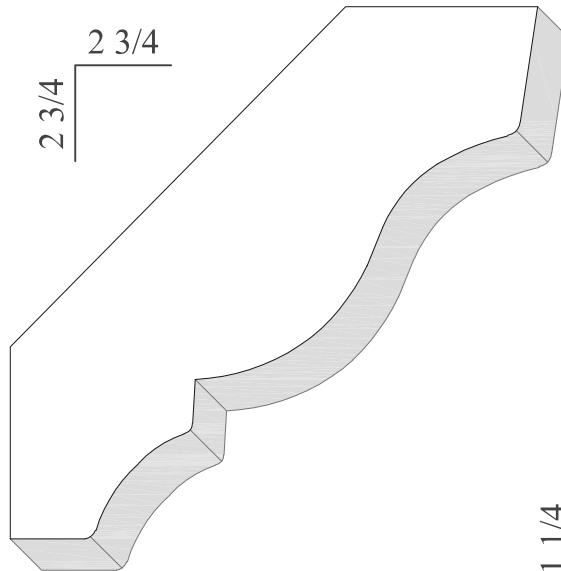


CT MOLDINGS

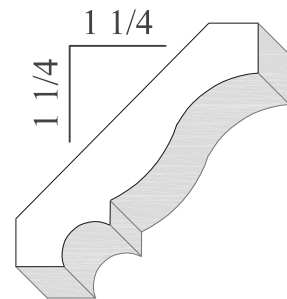
CROWN



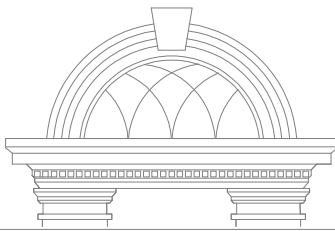
CTM | CR | 2007



CTM | CR | 2007.1

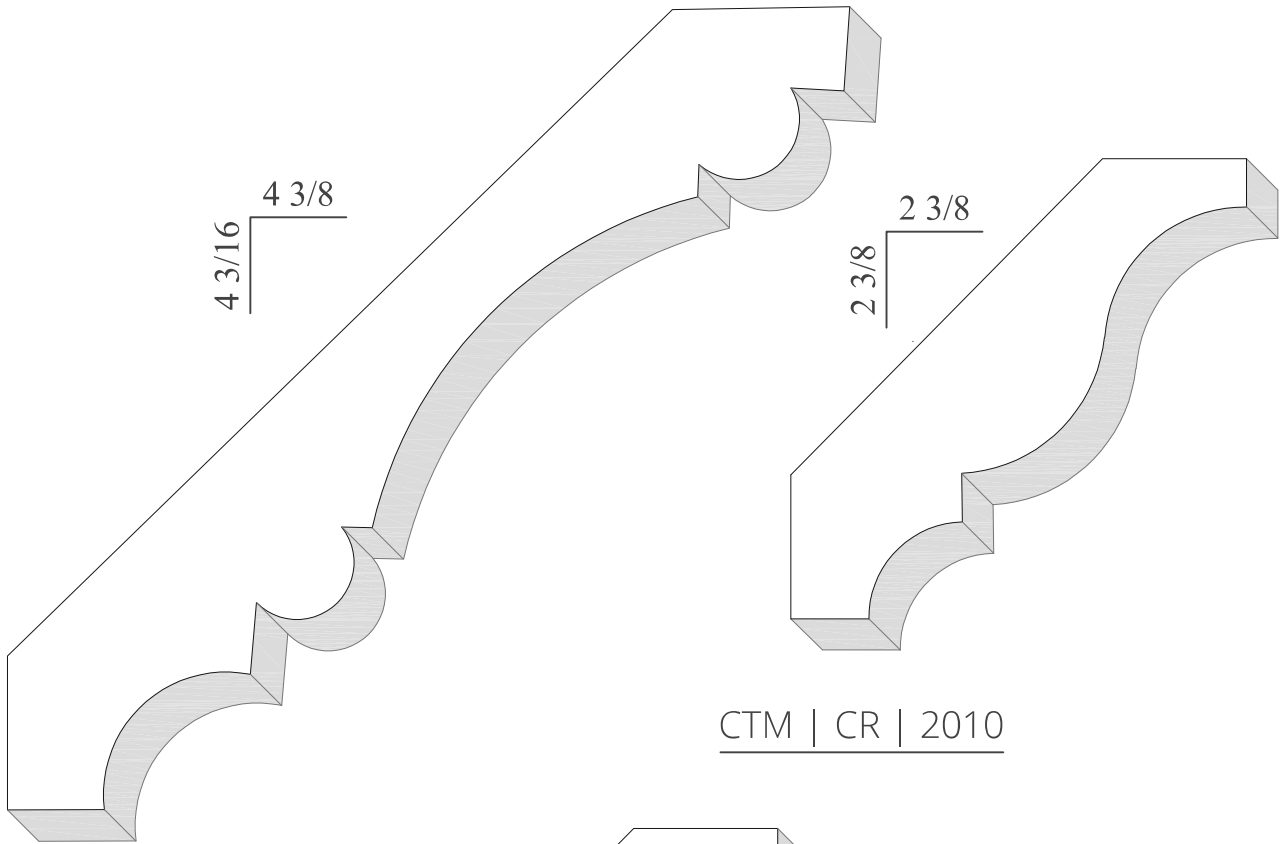


CTM | CR | 2008



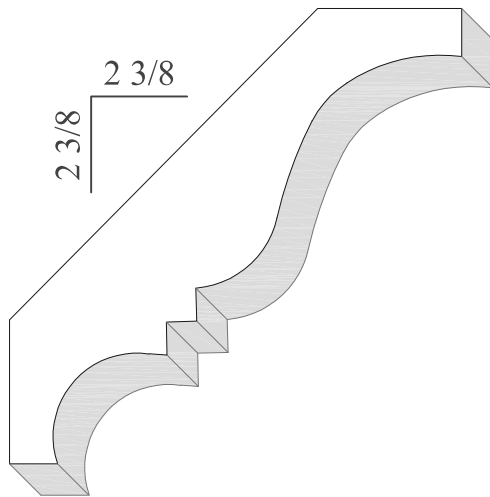
CT MOLDINGS

CROWN

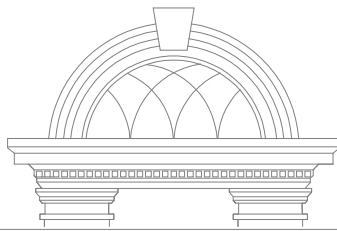


CTM | CR | 2009

CTM | CR | 2010

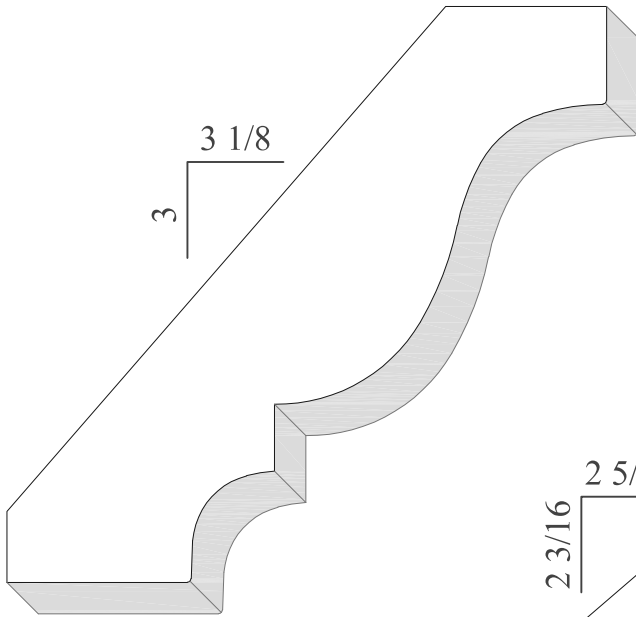


CTM | CR | 2011

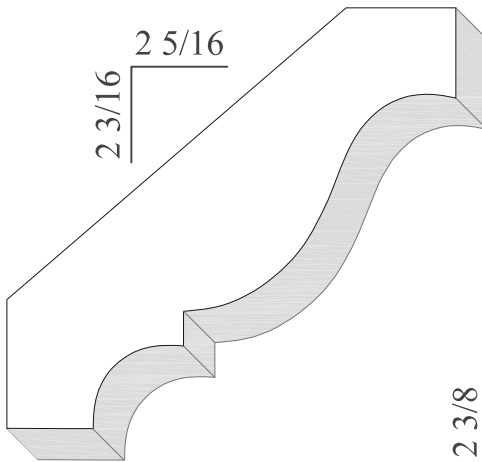


CT MOLDINGS

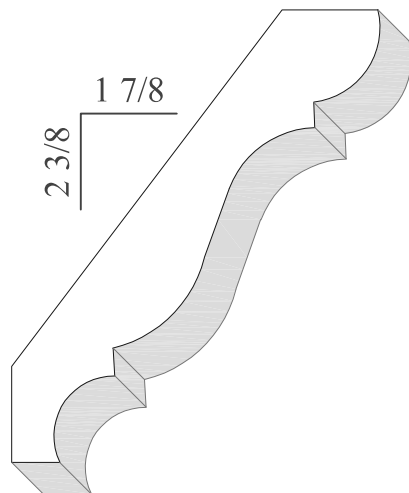
CROWN



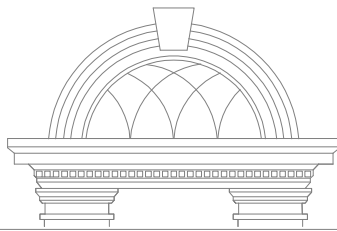
CTM | CR | 2012



CTM | CR | 2013

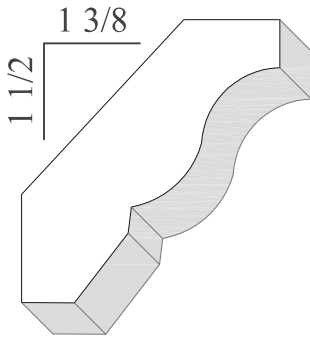


CTM | CR | 2014

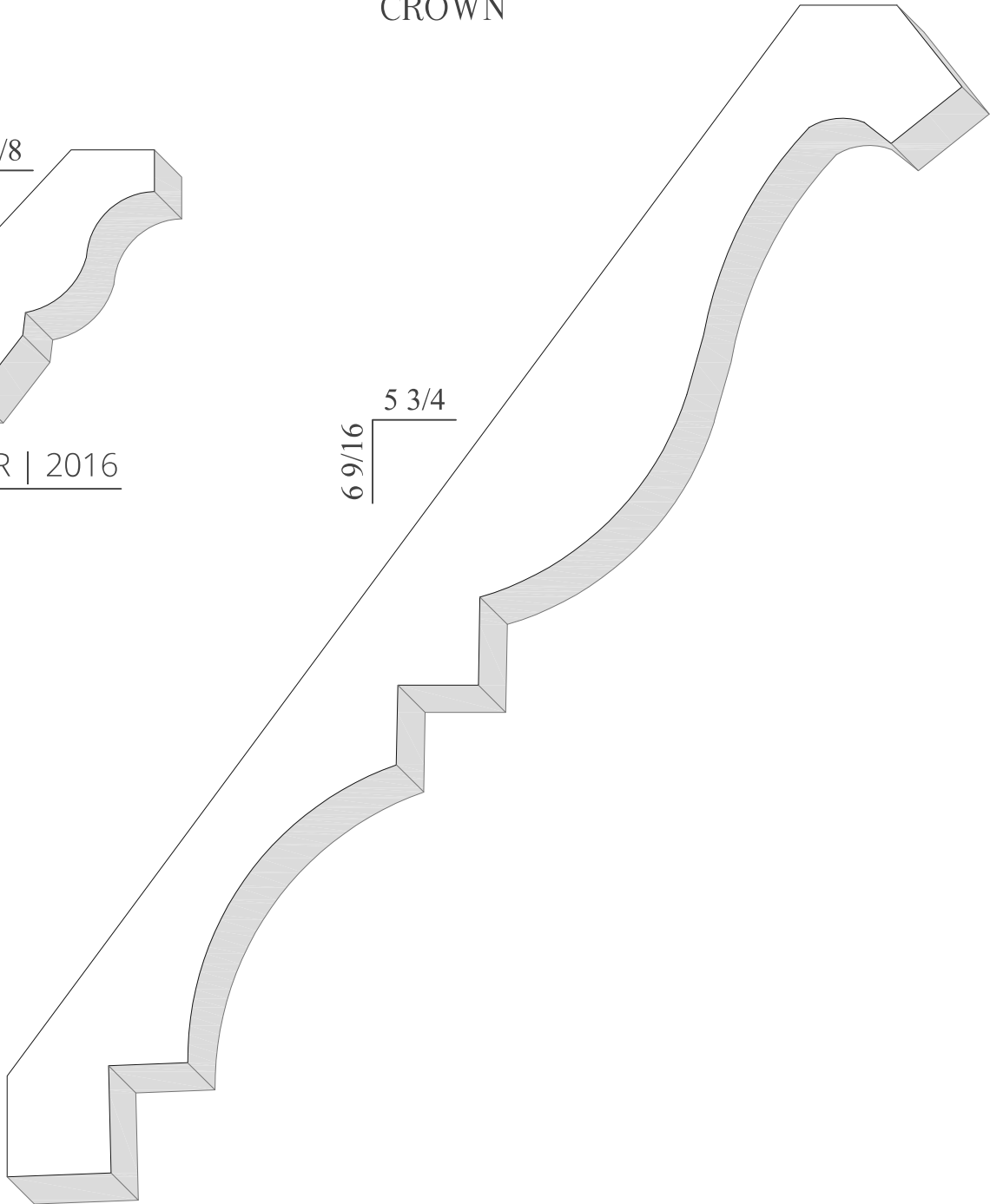


CT MOLDINGS

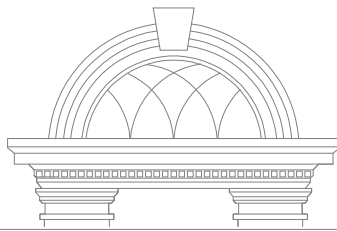
CROWN



CTM | CR | 2016

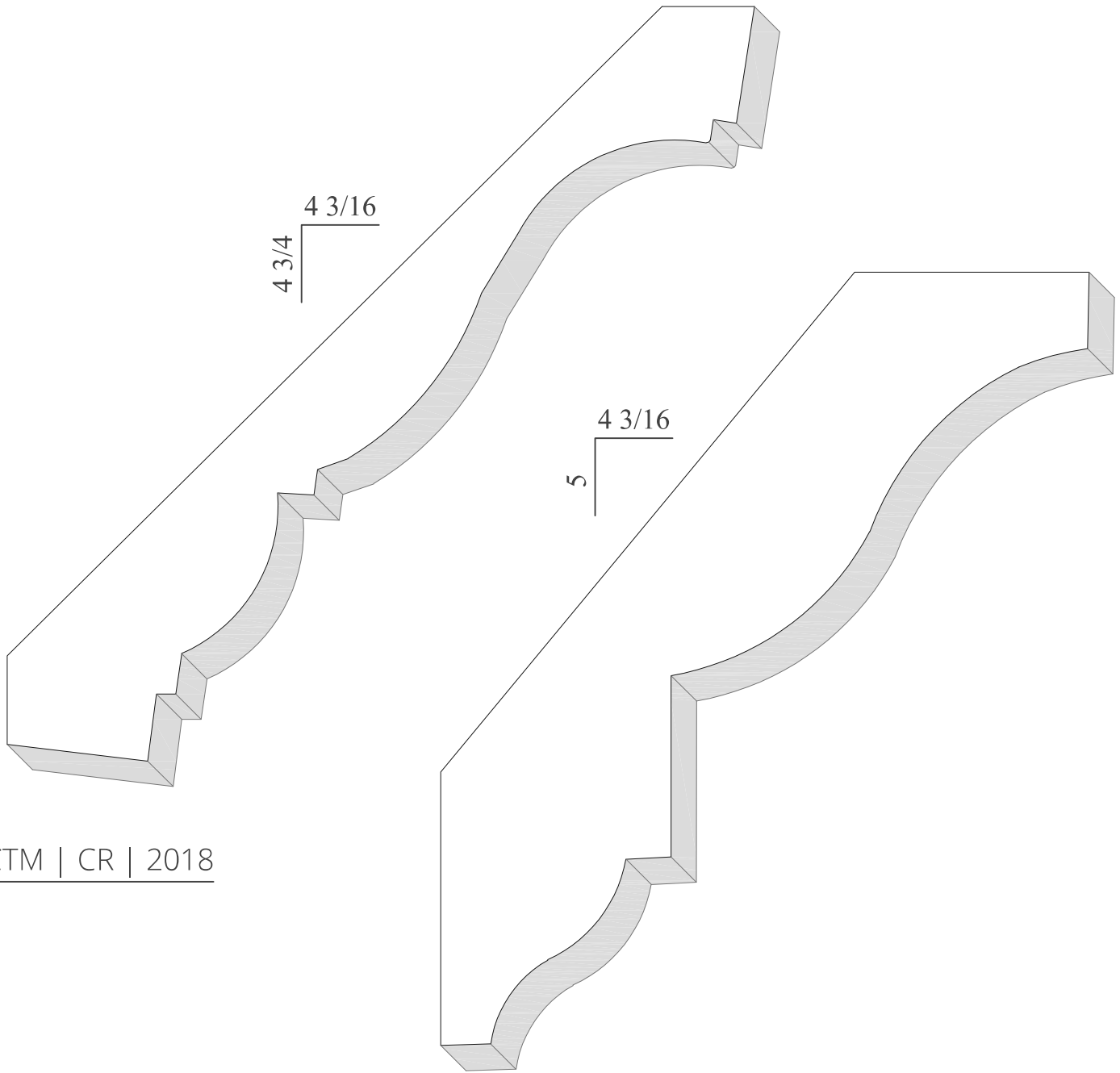


CTM | CR | 2017



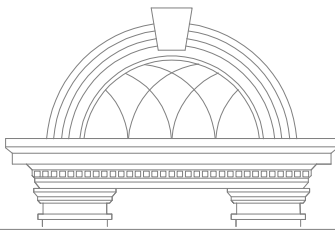
CT MOLDINGS

CROWN



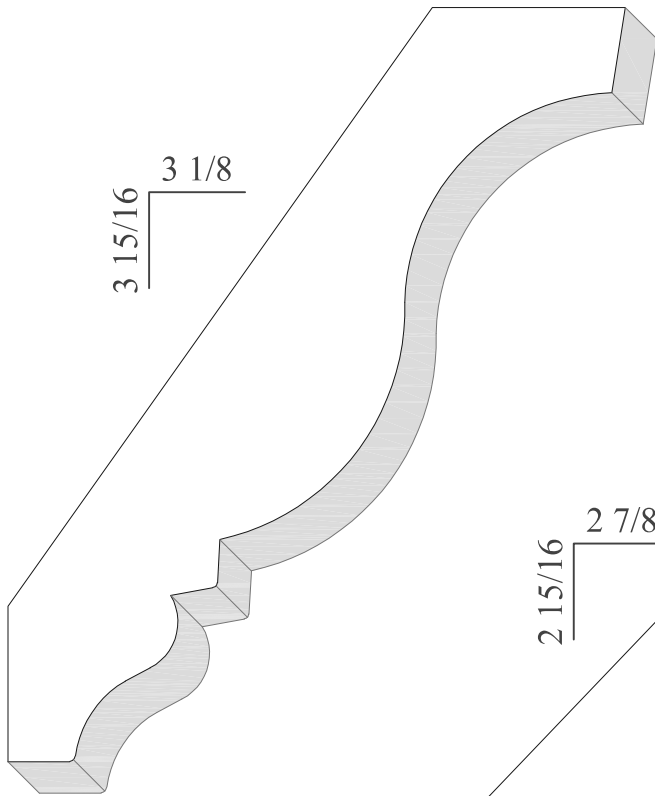
CTM | CR | 2018

CTM | CR | 2019

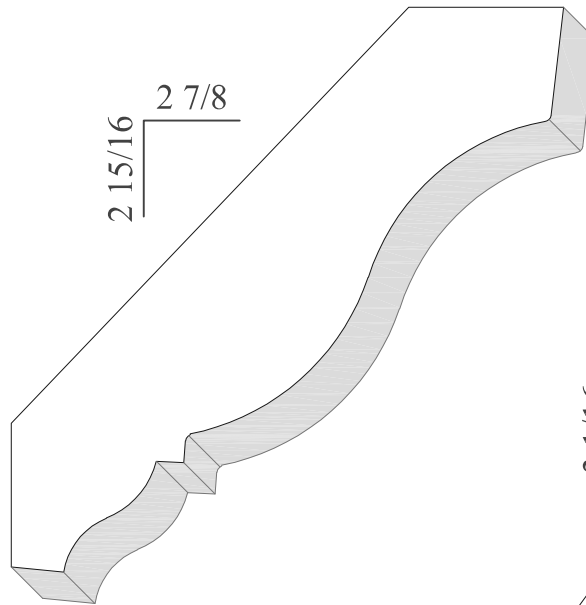


CT MOLDINGS

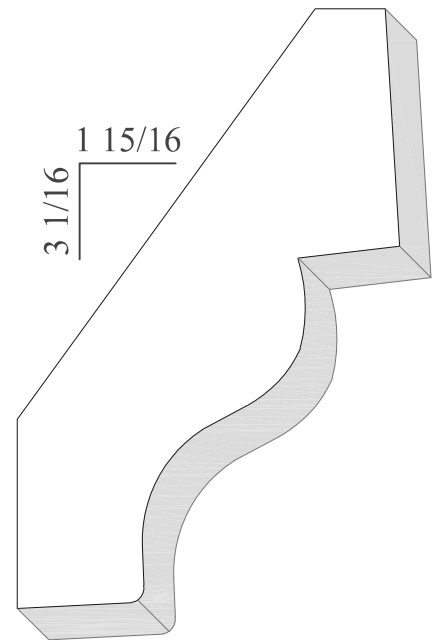
CROWN



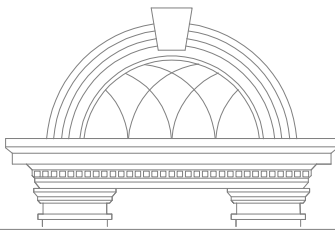
CTM | CR | 2020



CTM | CR | 2021

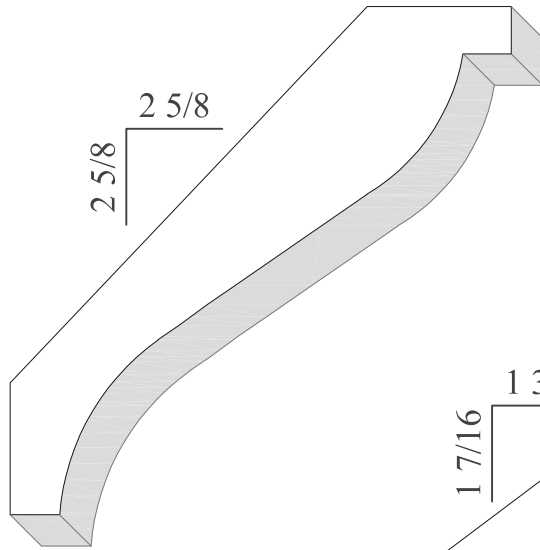


CTM | CR | 2022

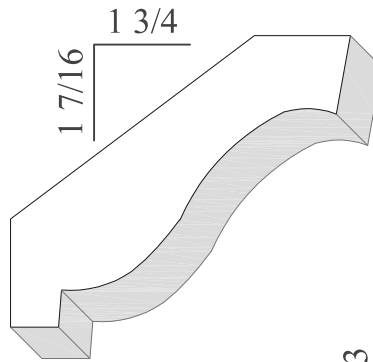


CT MOLDINGS

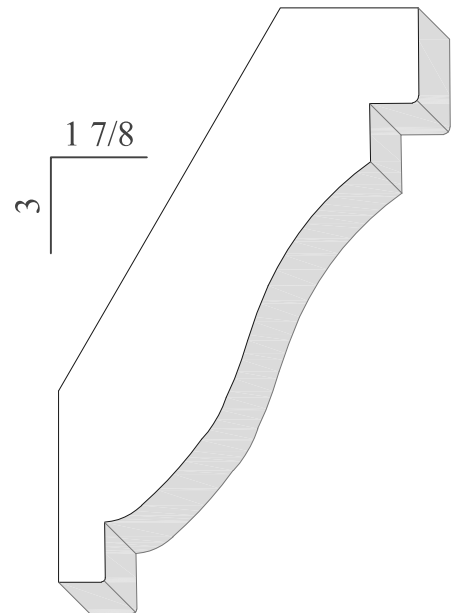
CROWN



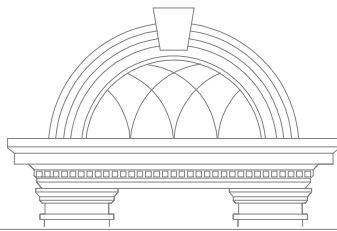
CTM | CR | 2023



CTM | CR | 2024

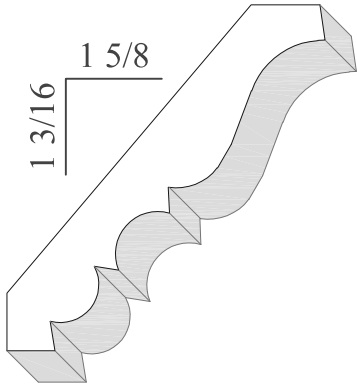


CTM | CR | 2024.1

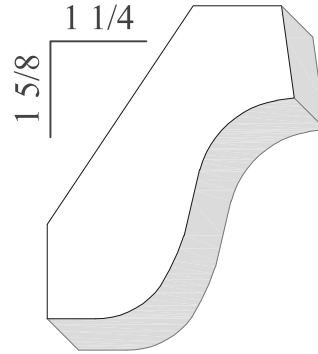


CT MOLDINGS

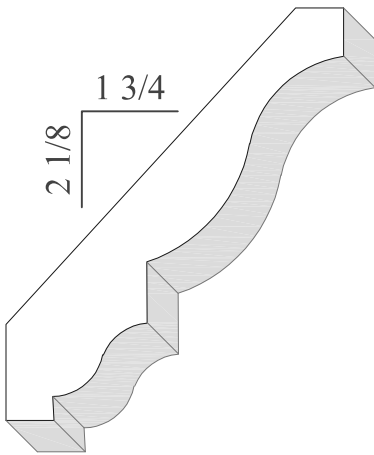
CROWN



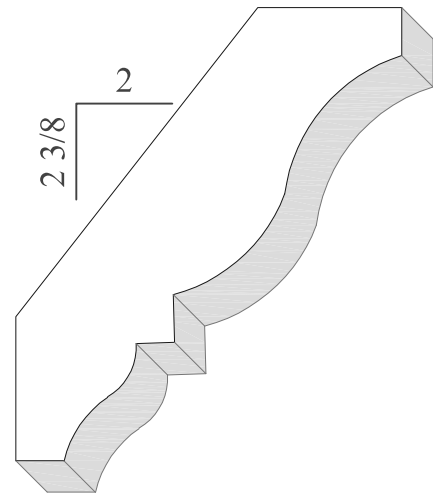
CTM | CR | 2025



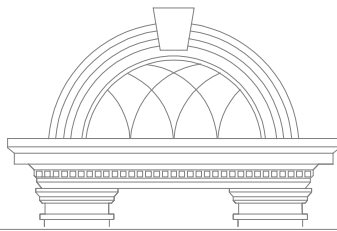
CTM | CR | 2026



CTM | CR | 2027

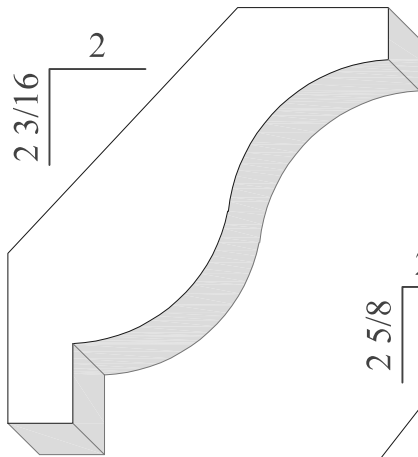


CTM | CR | 2028

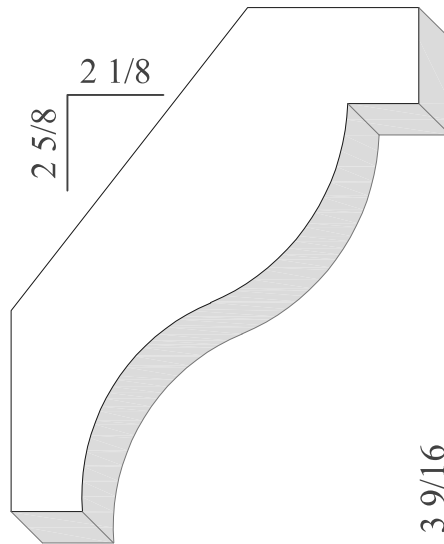


CT MOLDINGS

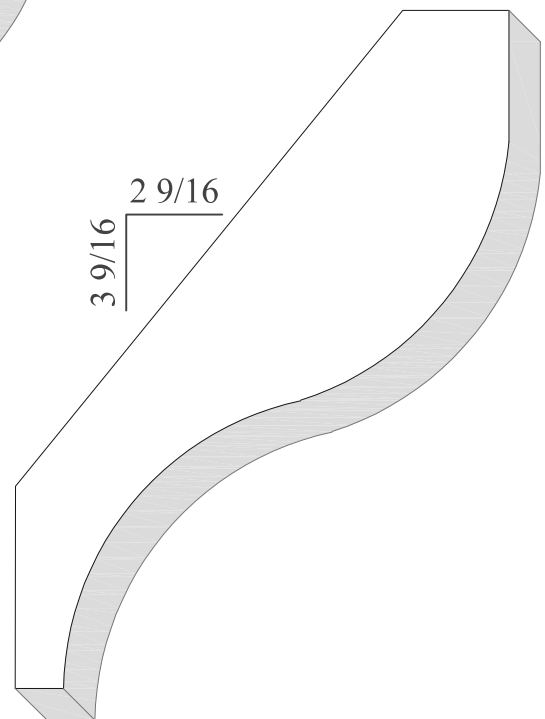
CROWN



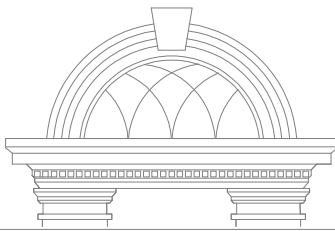
CTM | CR | 2029



CTM | CR | 2030

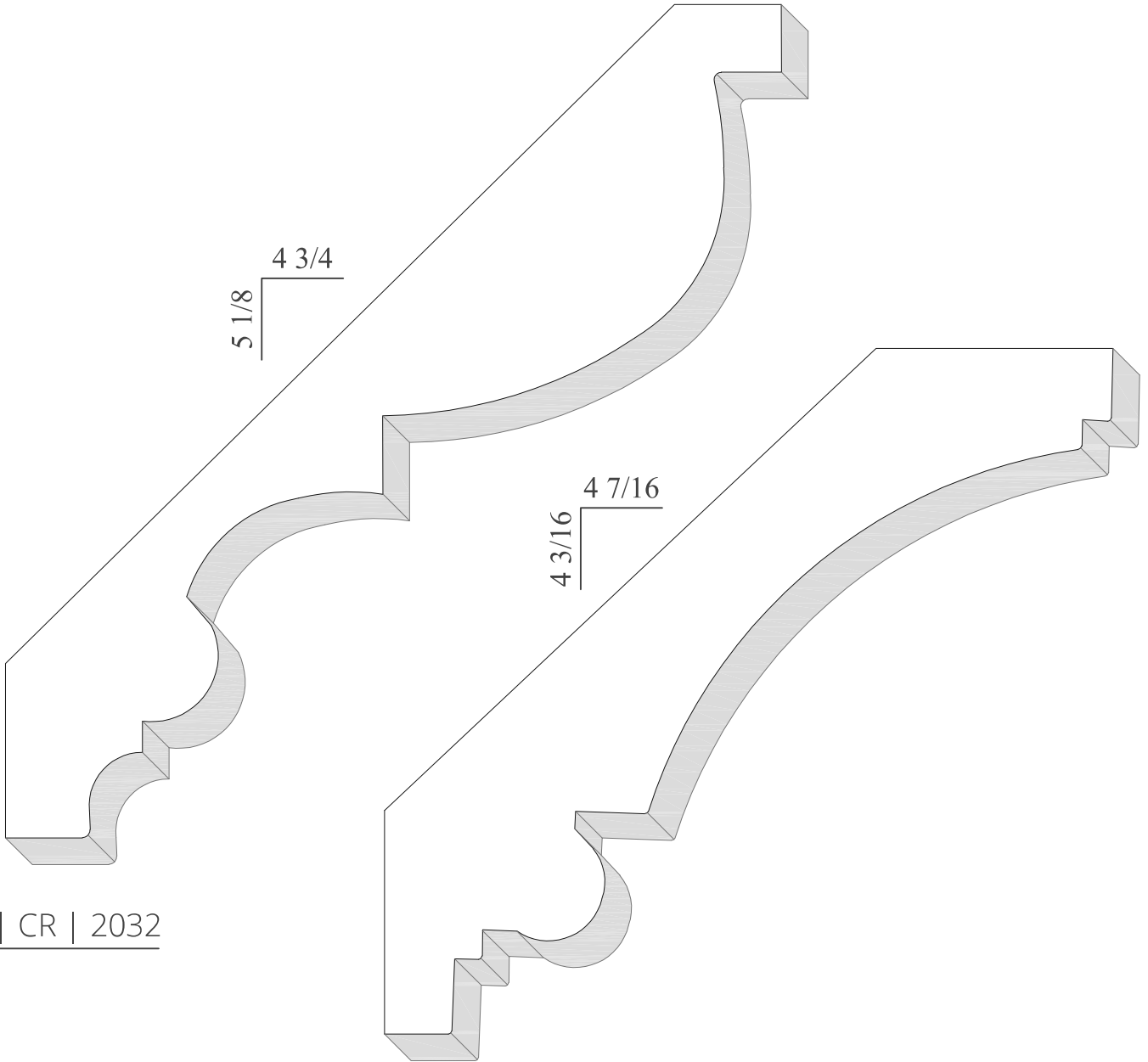


CTM | CR | 2031



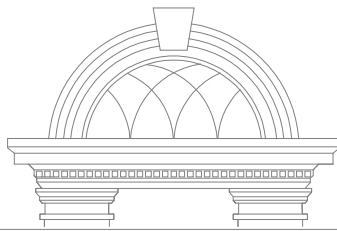
CT MOLDINGS

CROWN



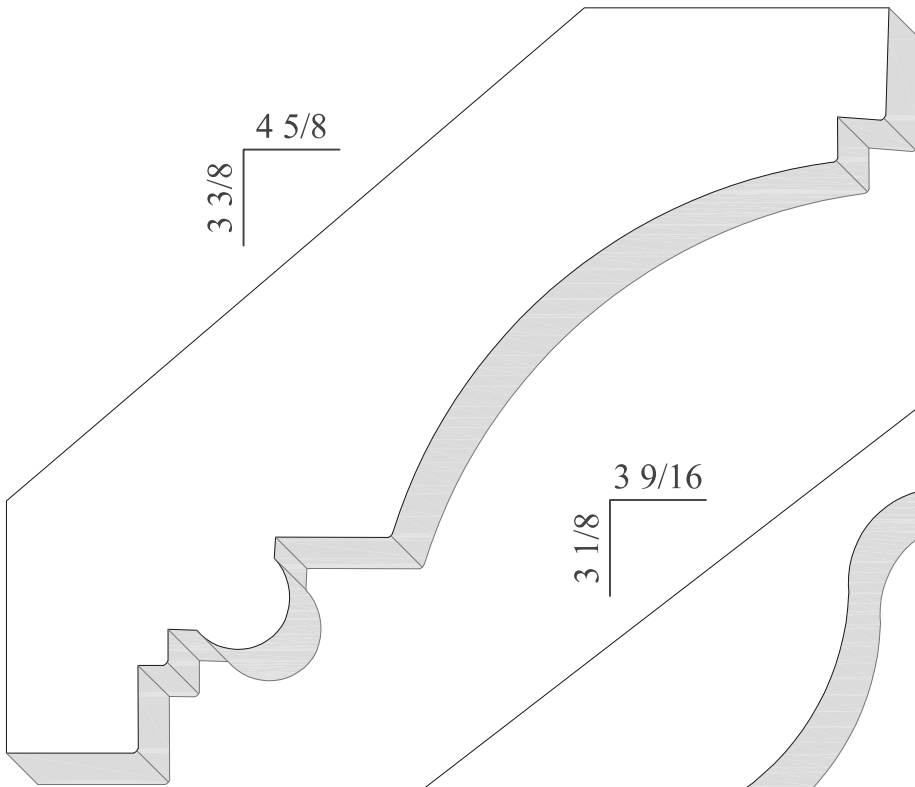
CTM | CR | 2032

CTM | CR | 2032.1

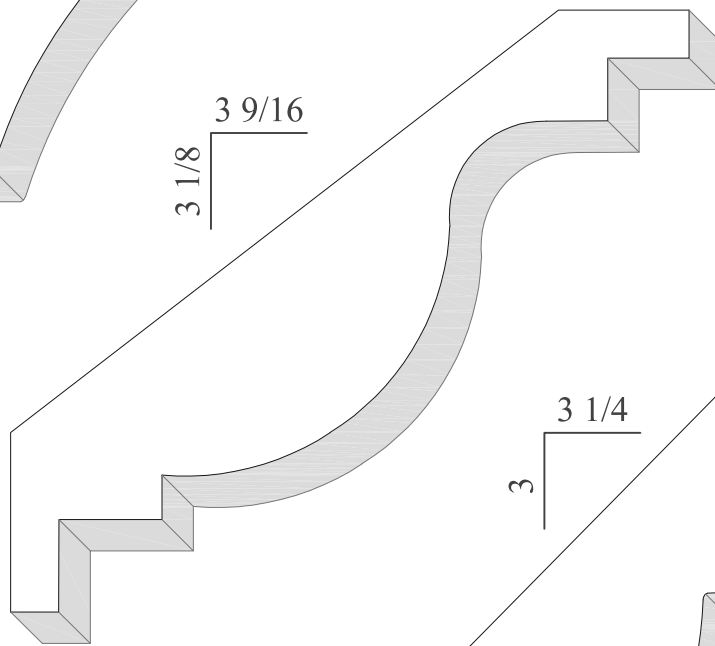


CT MOLDINGS

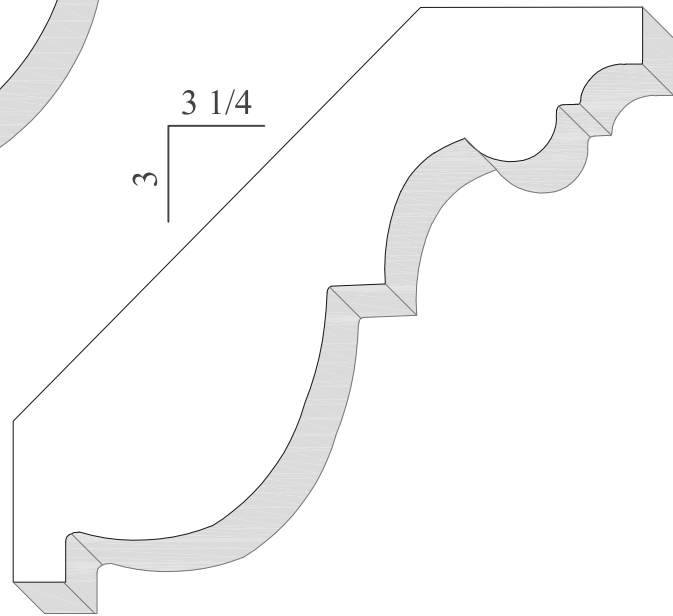
CROWN



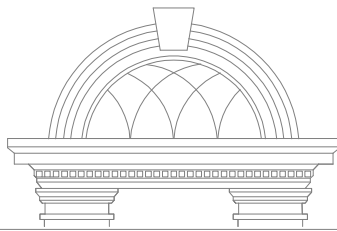
CTM | CR | 2032.2



CTM | CR | 2033

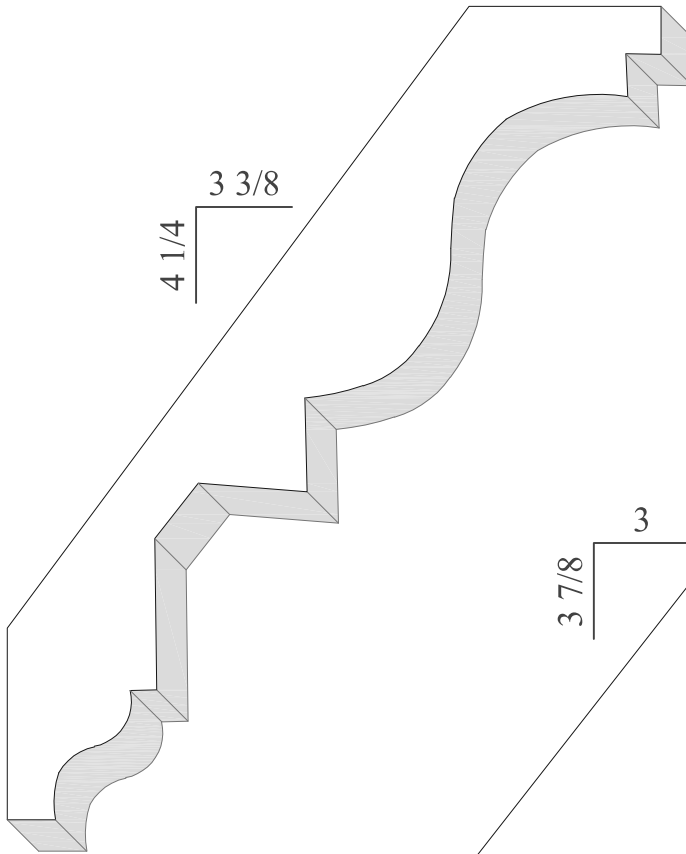


CTM | CR | 2034

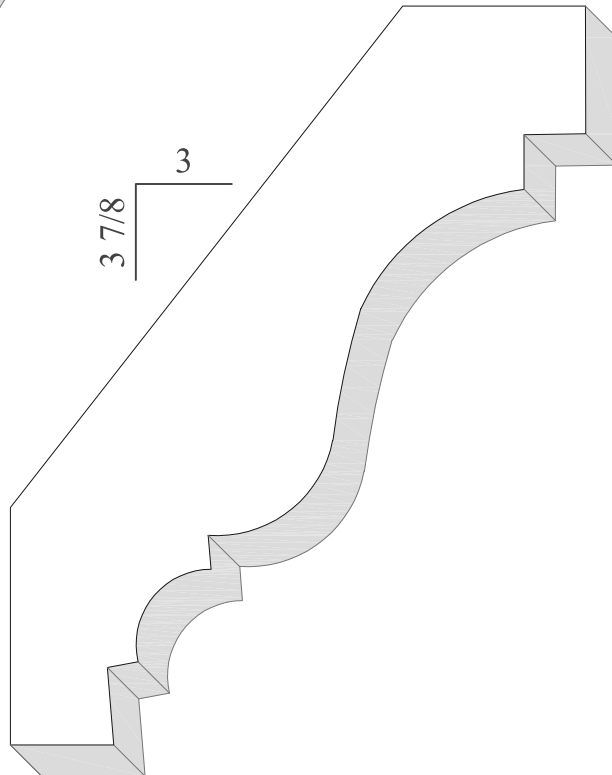


CT MOLDINGS

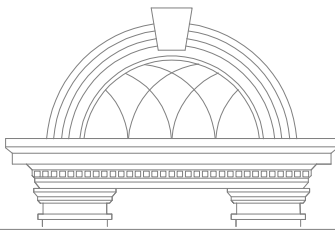
CROWN



CTM | CR | 2035

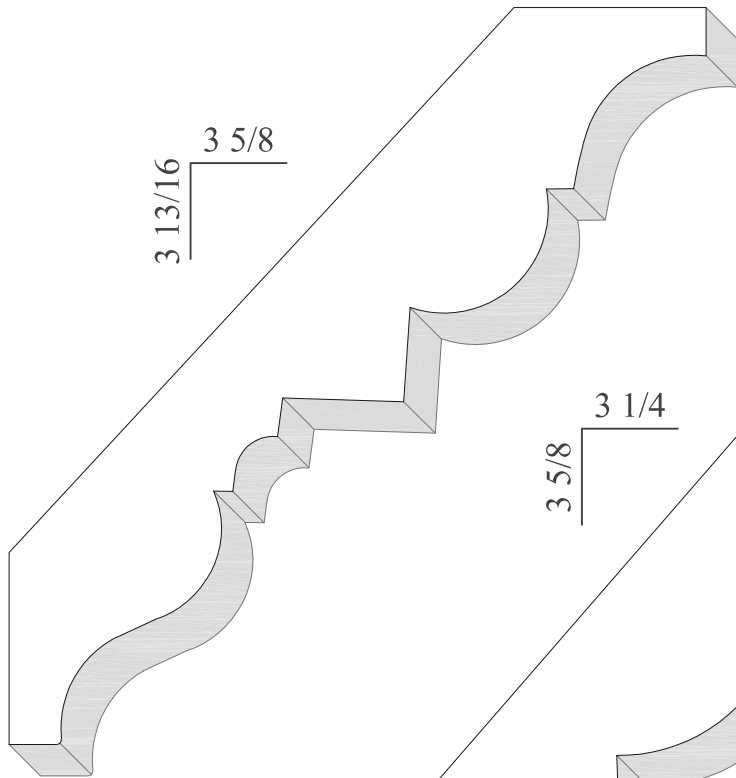


CTM | CR | 2035.1

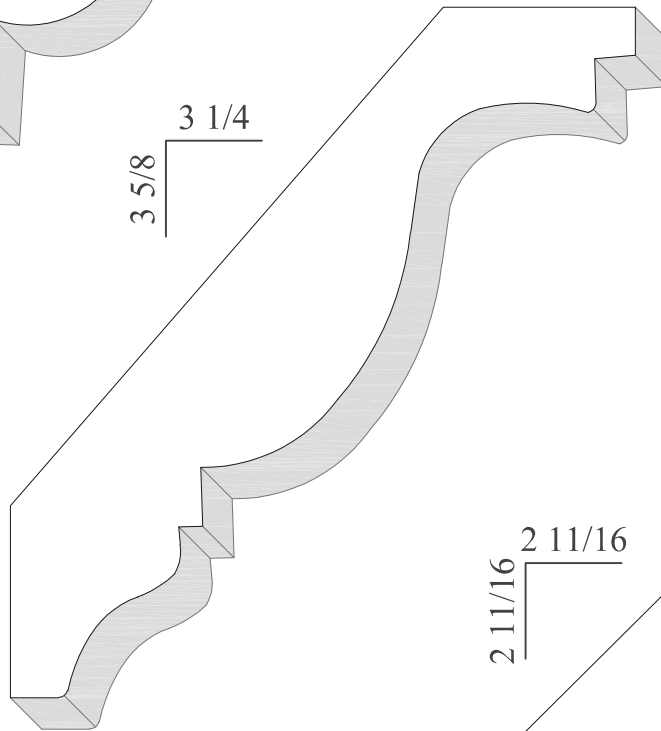


CT MOLDINGS

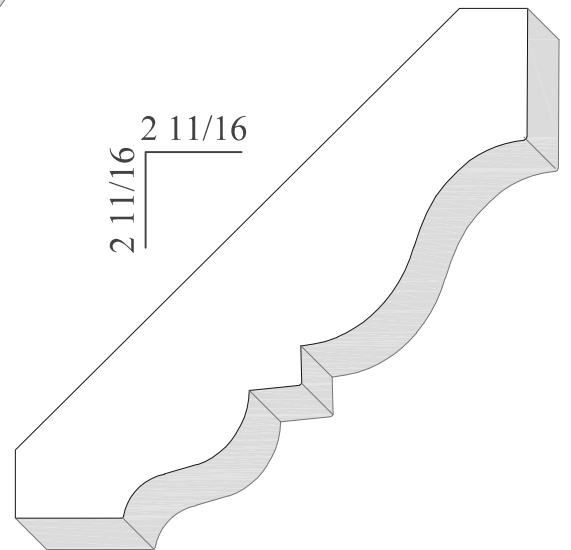
CROWN



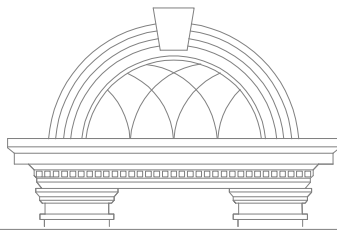
CTM | CR | 2036



CTM | CR | 2037

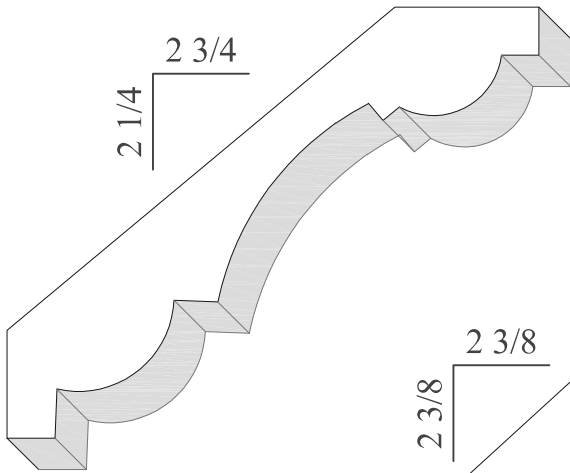


CTM | CR | 2037.1

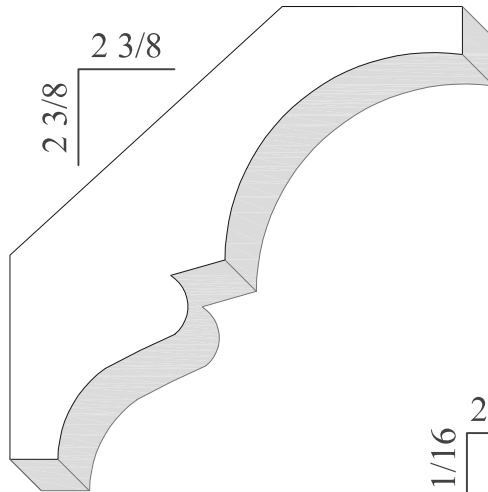


CT MOLDINGS

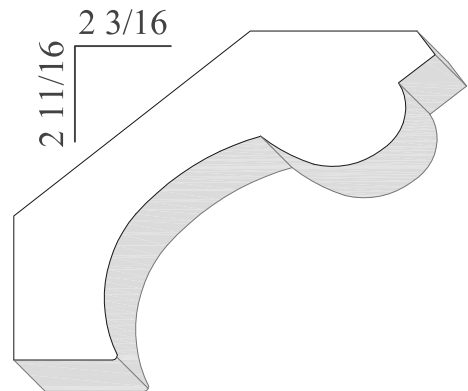
CROWN



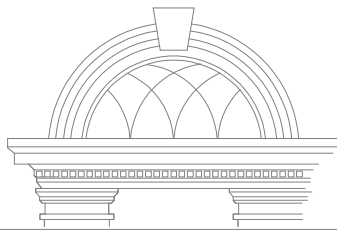
CTM | CR | 2038



CTM | CR | 2039

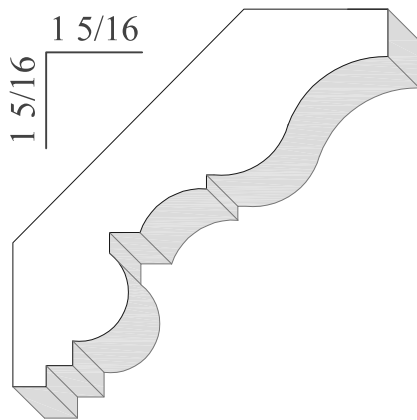


CTM | CR | 2040

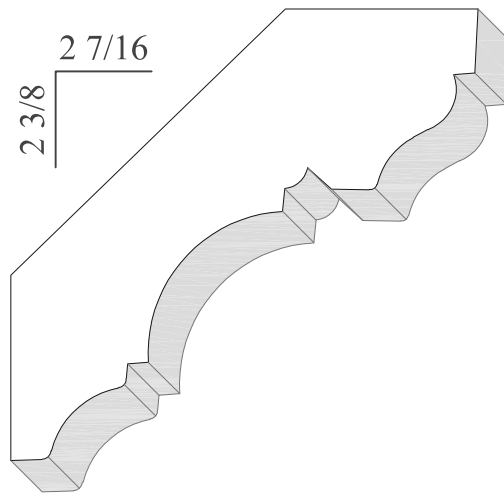


CT MOLDINGS

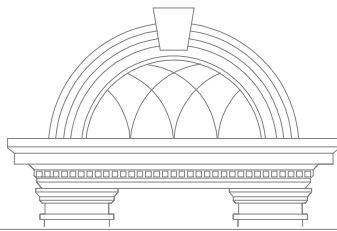
CROWN



CTM | CR | 2041

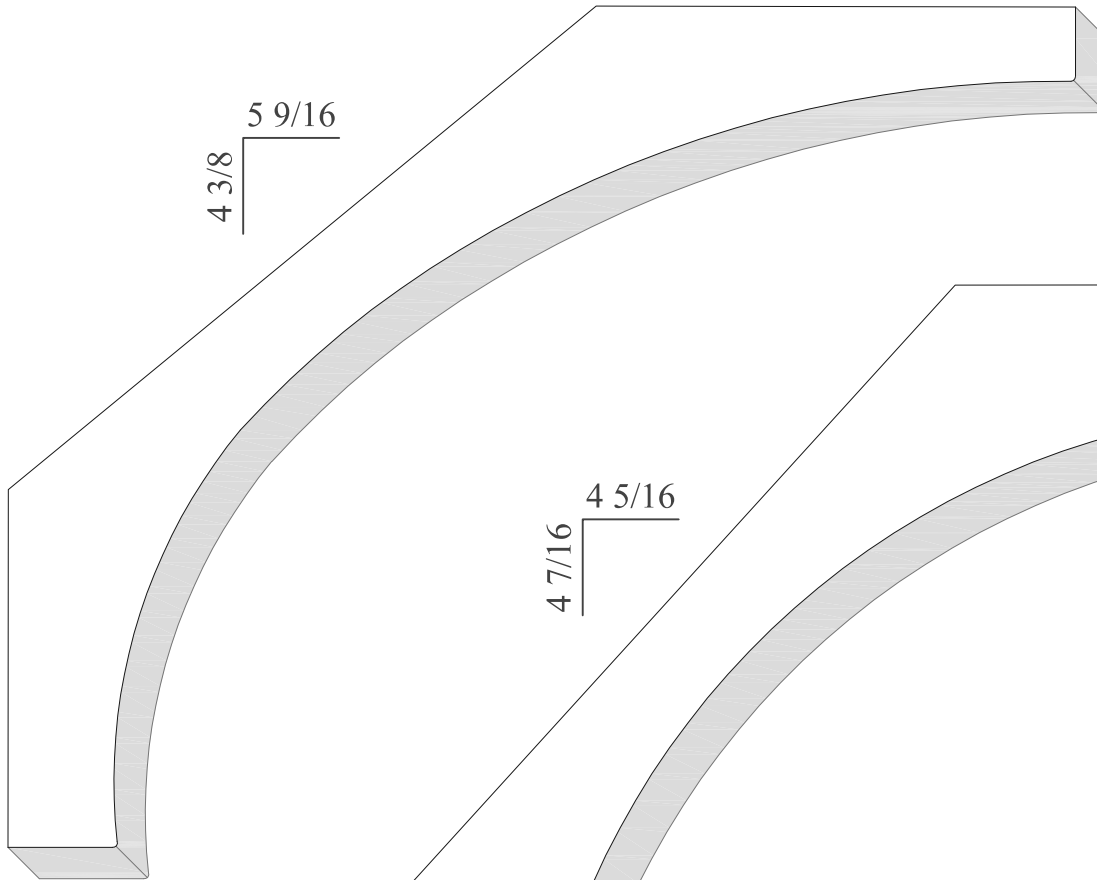


CTM | CR | 2042

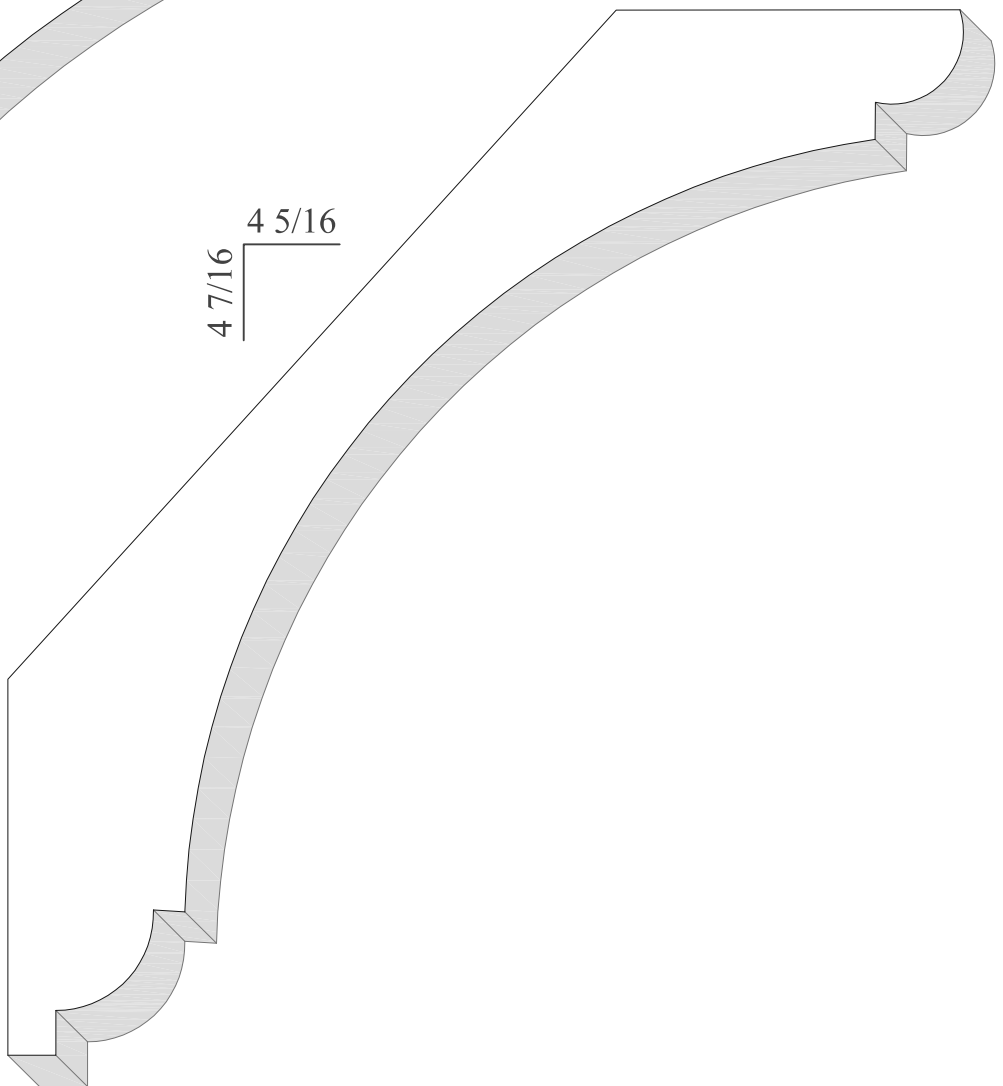


CT MOLDINGS

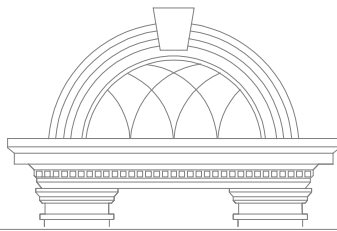
CROWN



CTM | CR | 2043

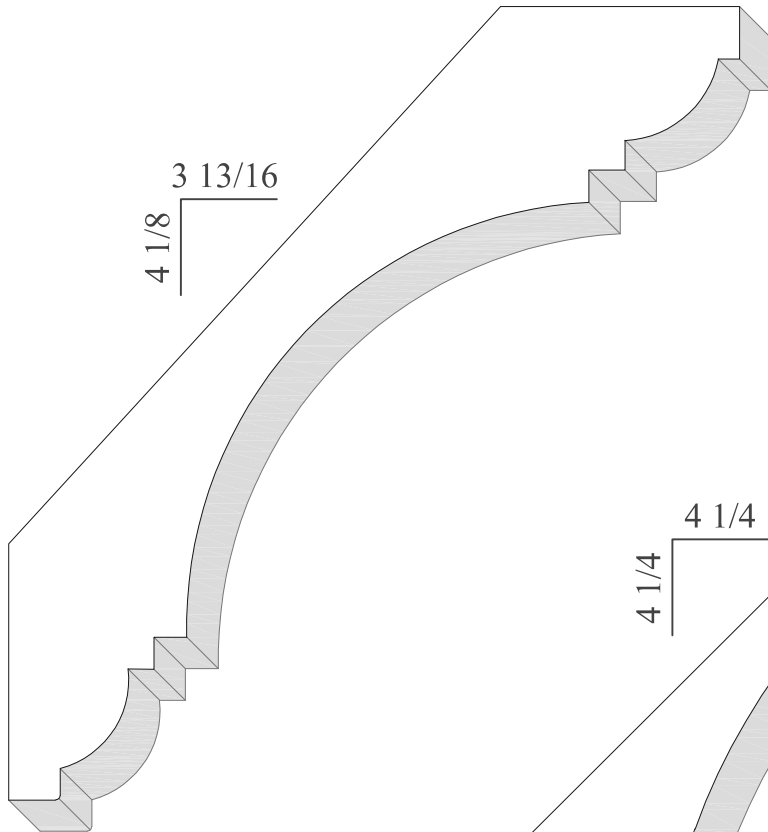


CTM | CR | 2044

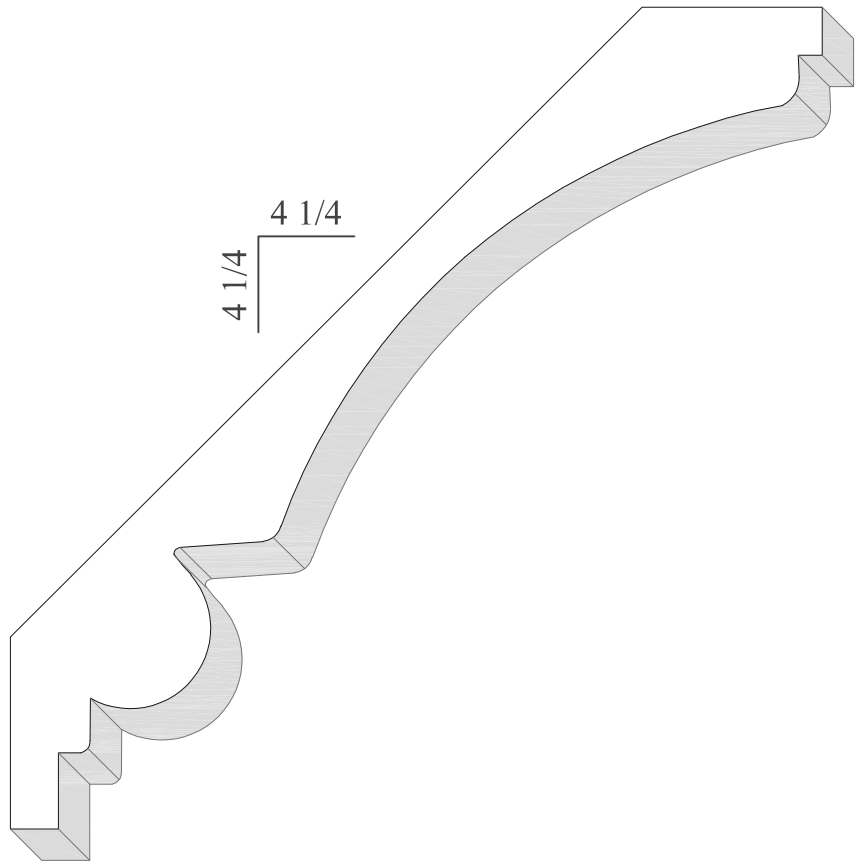


CT MOLDINGS

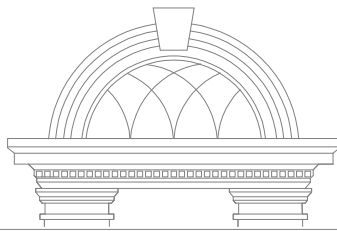
CROWN



CTM | CR | 2045

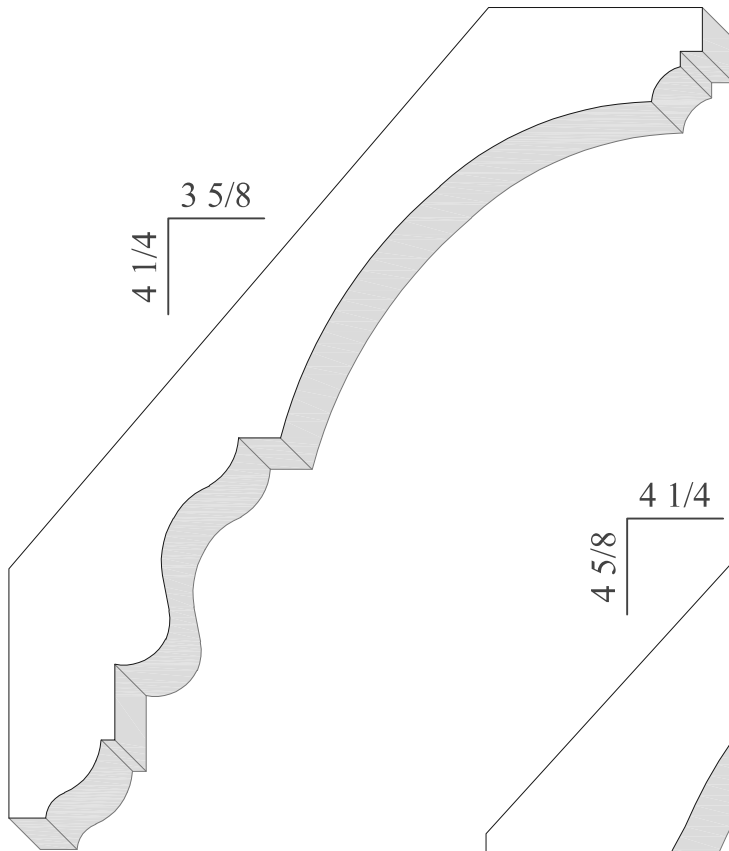


CTM | CR | 2046

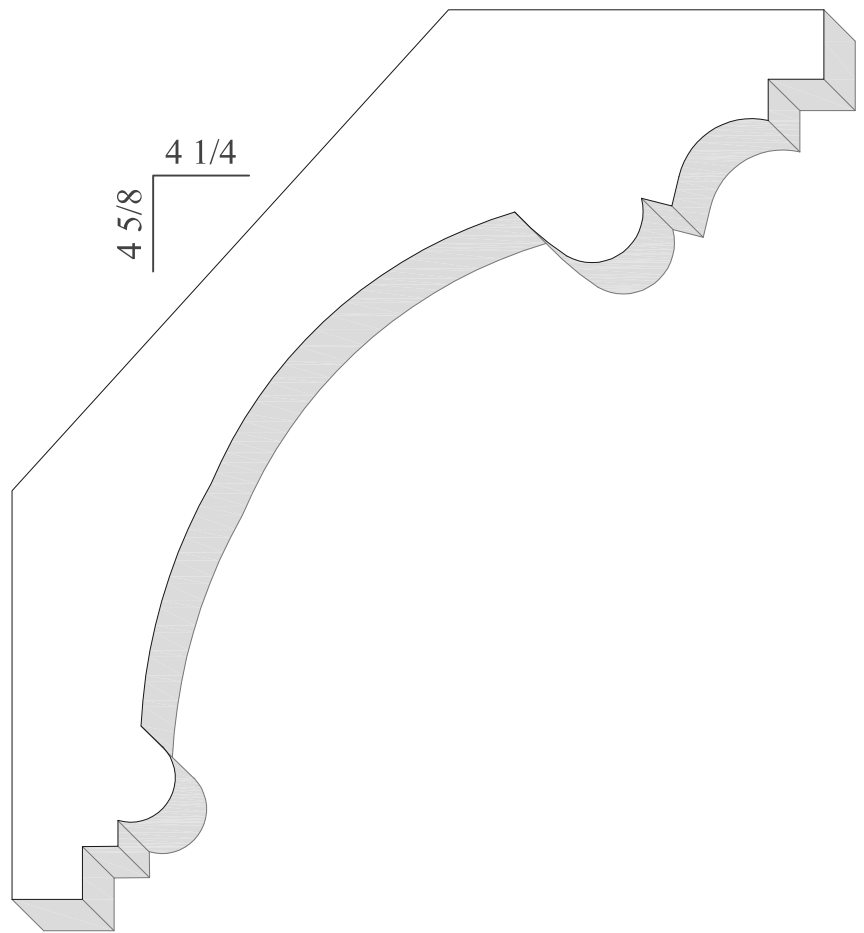


CT MOLDINGS

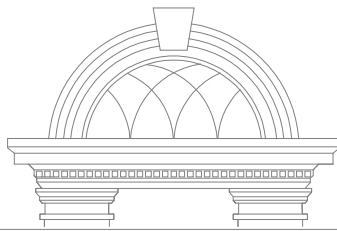
CROWN



CTM | CR | 2047

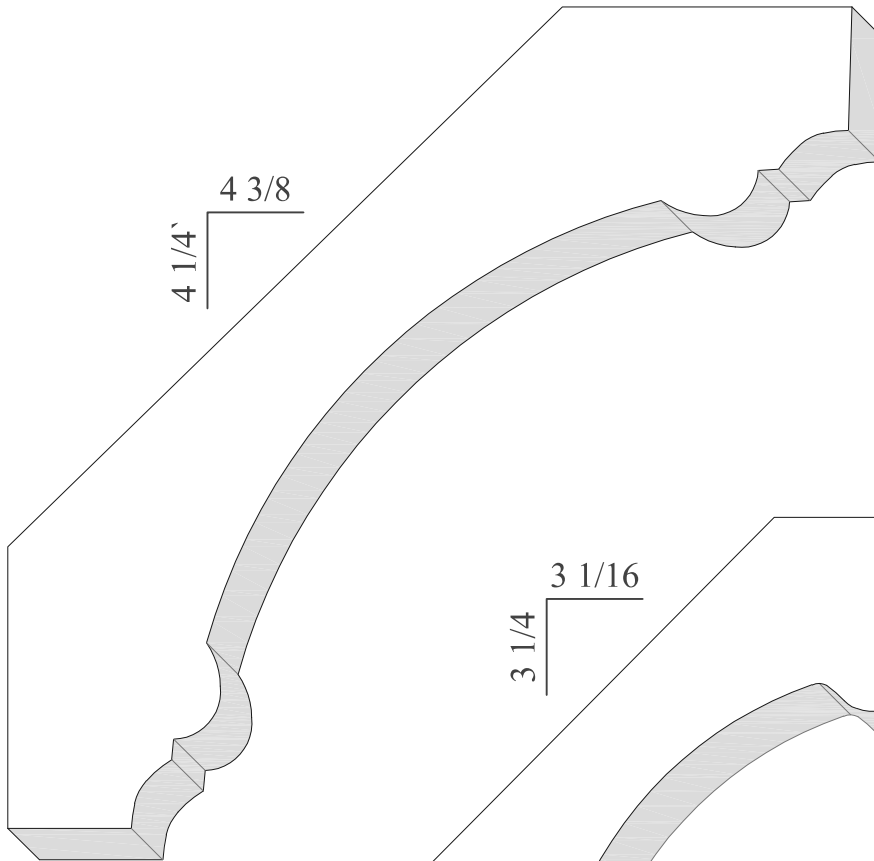


CTM | CR | 2048

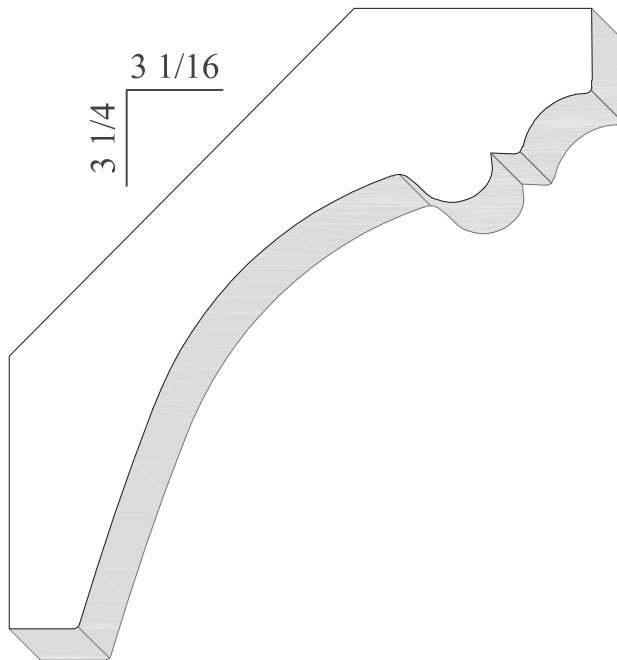


CT MOLDINGS

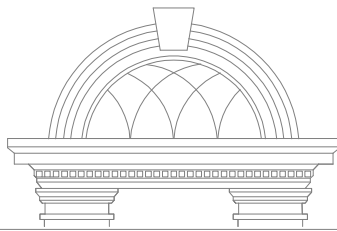
CROWN



CTM | CR | 2048.1

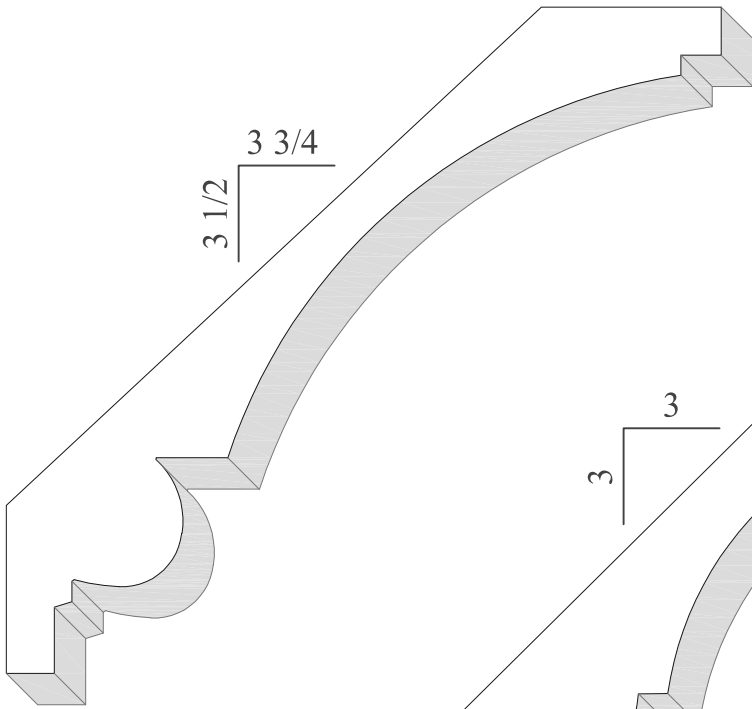


CTM | CR | 2048.2

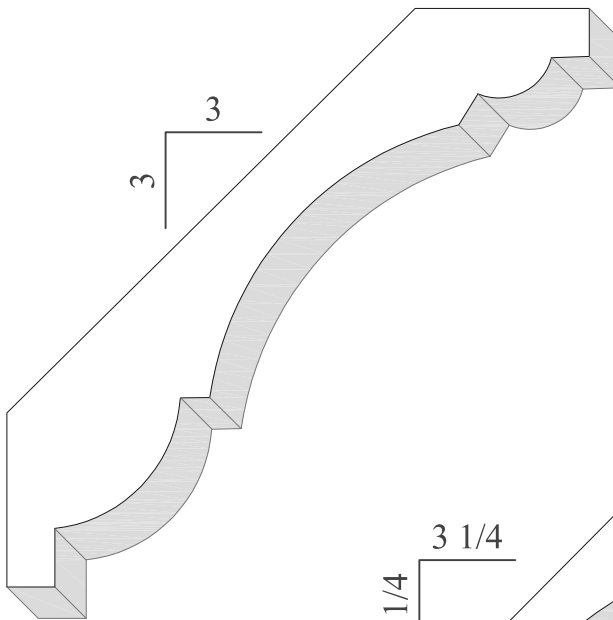


CT MOLDINGS

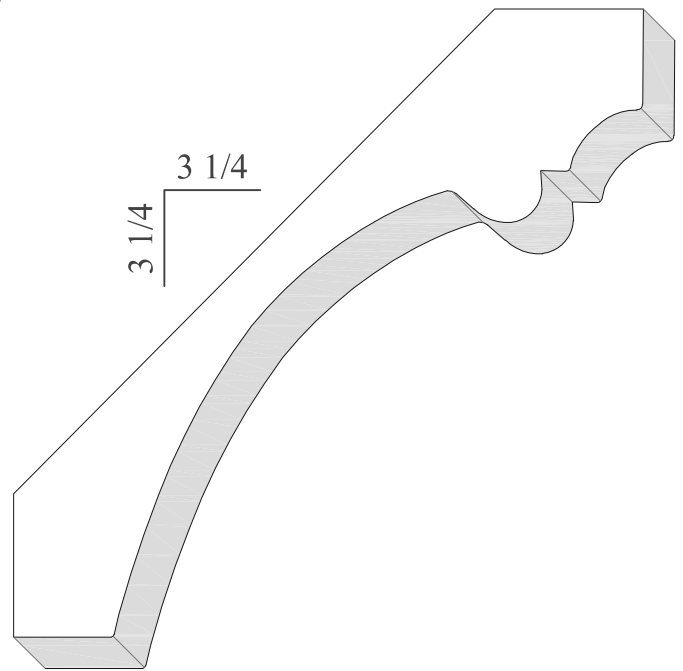
CROWN



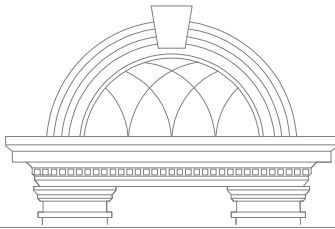
CTM | CR | 2049



CTM | CR | 2050

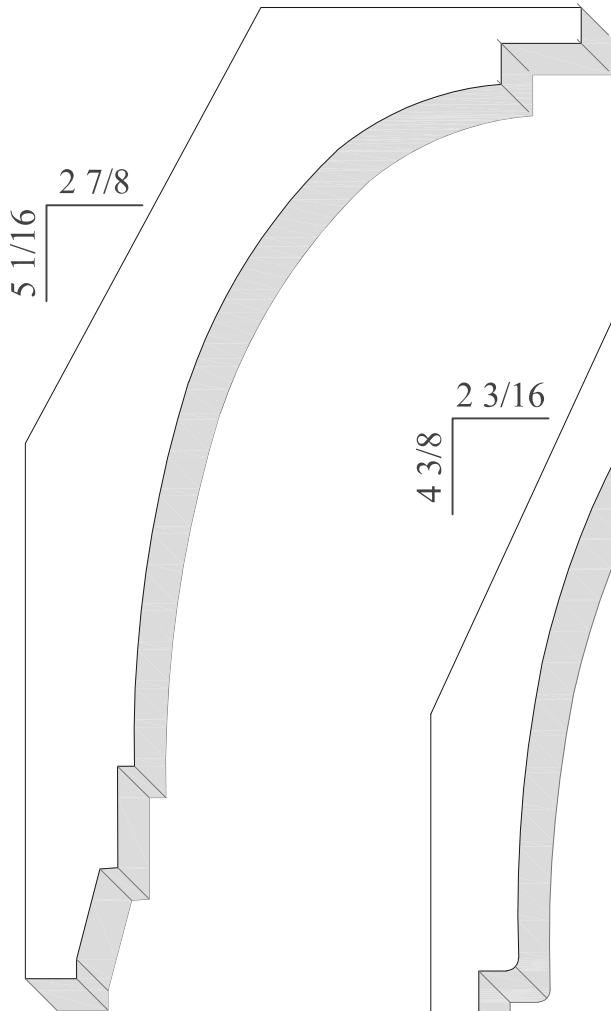


CTM | CR | 2051

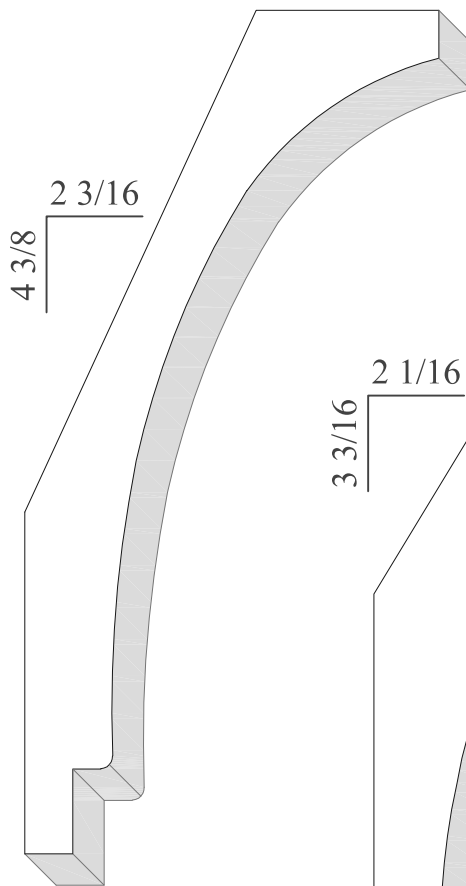


CT MOLDINGS

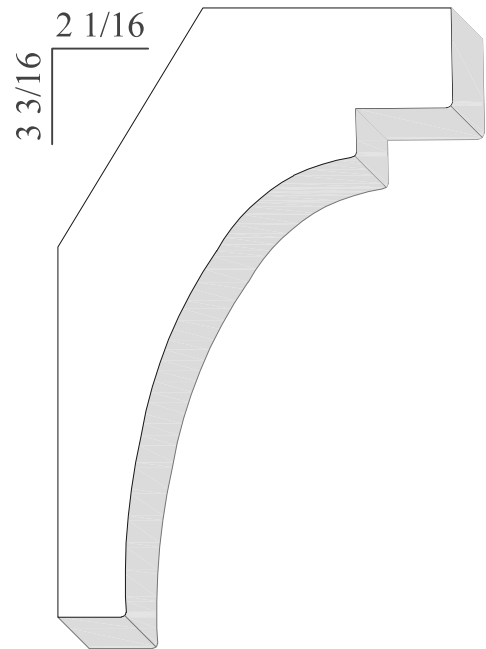
CROWN



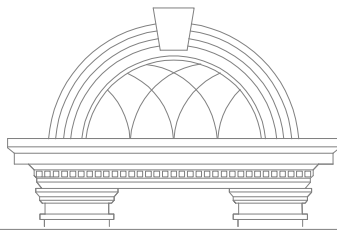
CTM | CR | 2052



CTM | CR | 2054

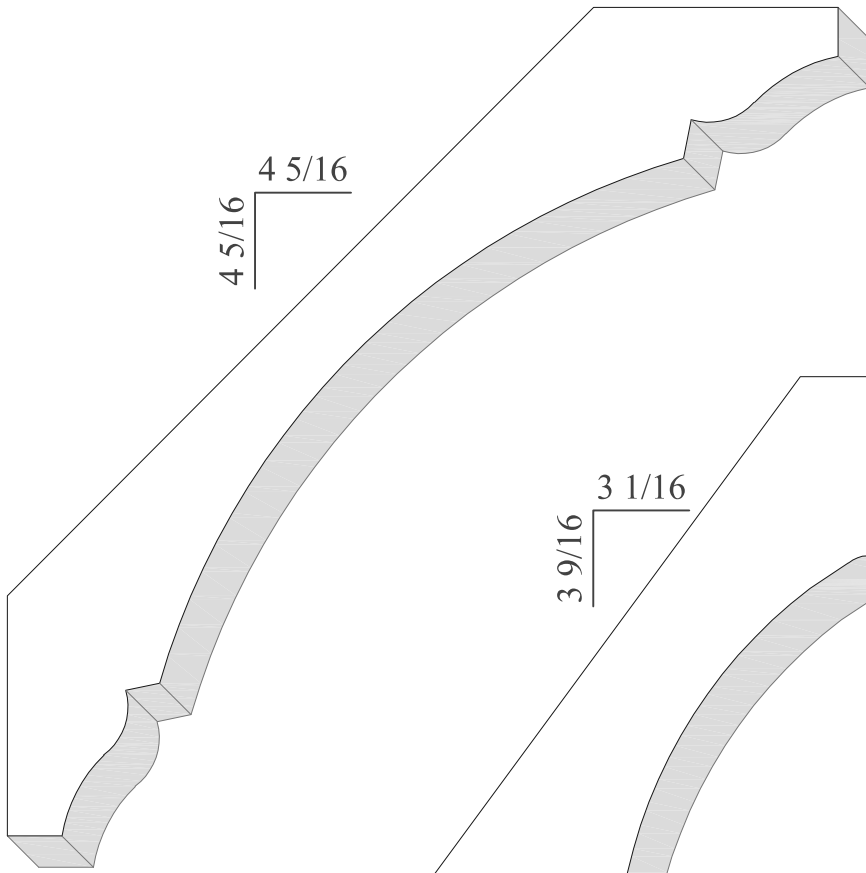


CTM | CR | 2078.1

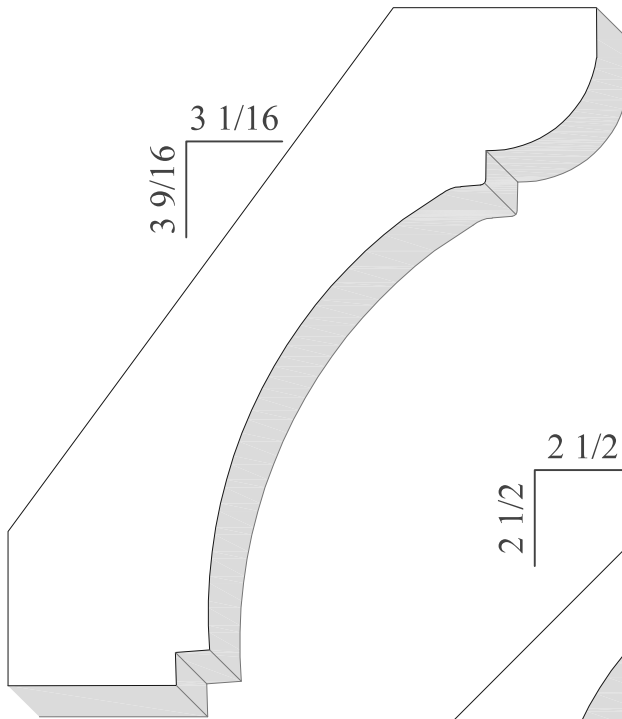


CT MOLDINGS

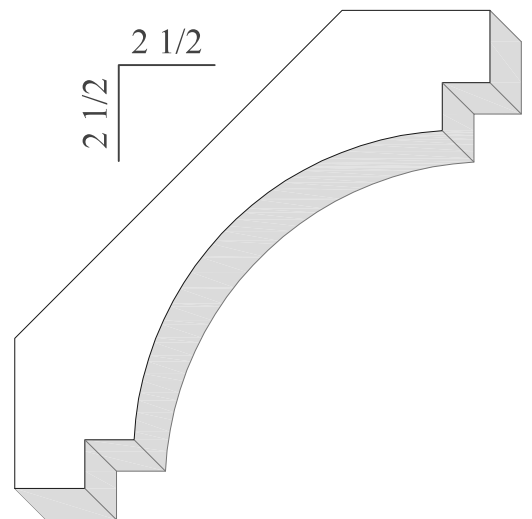
CROWN



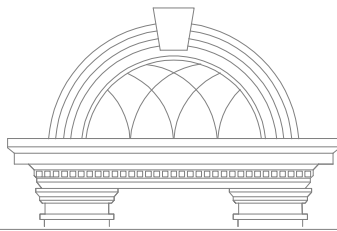
CTM | CR | 2053



CTM | CR | 2055

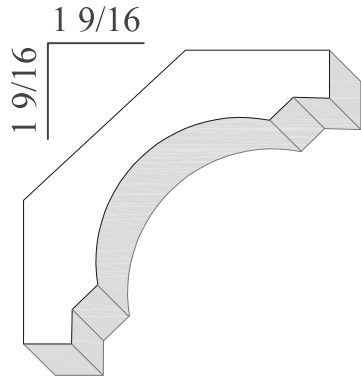


CTM | CR | 2056

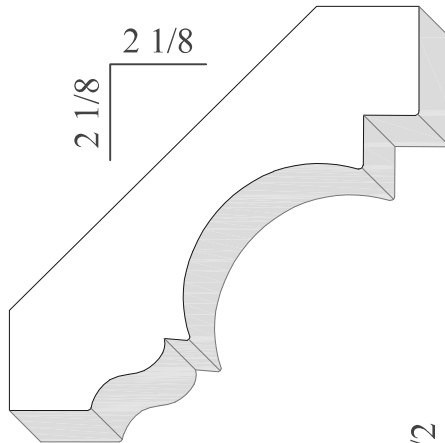


CT MOLDINGS

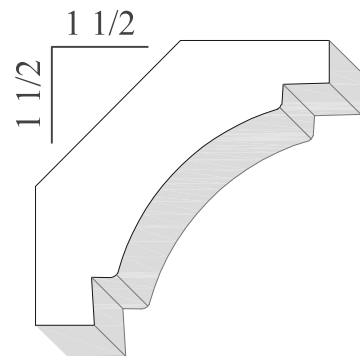
CROWN



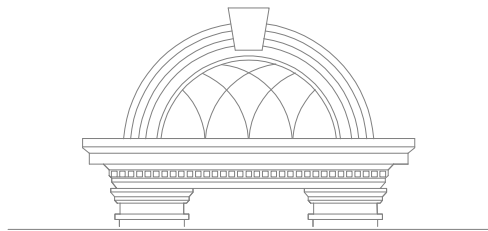
CTM | CR | 2057



CTM | CR | 2058

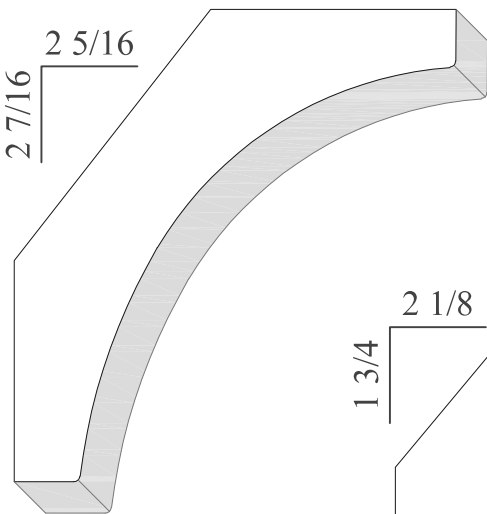


CTM | CR | 2059

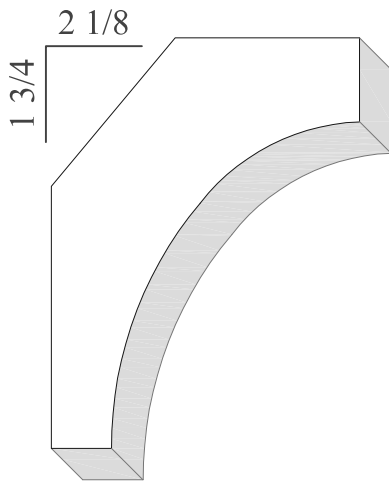


CT MOLDINGS

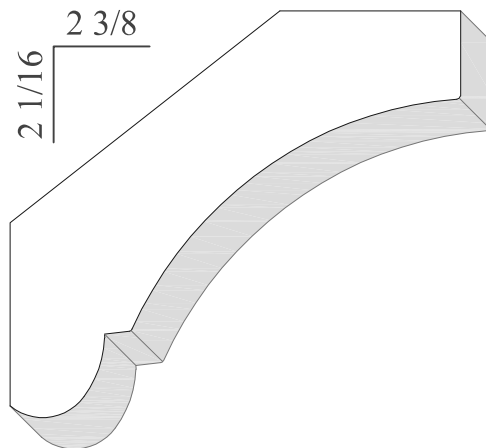
CROWN



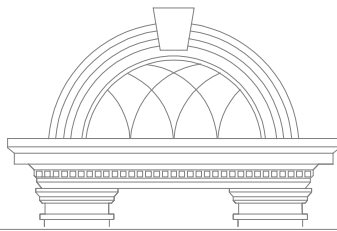
CTM | CR | 2060



CTM | CR | 2061

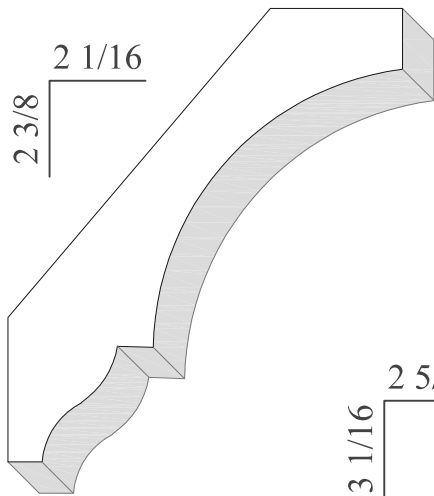


CTM | CR | 2062

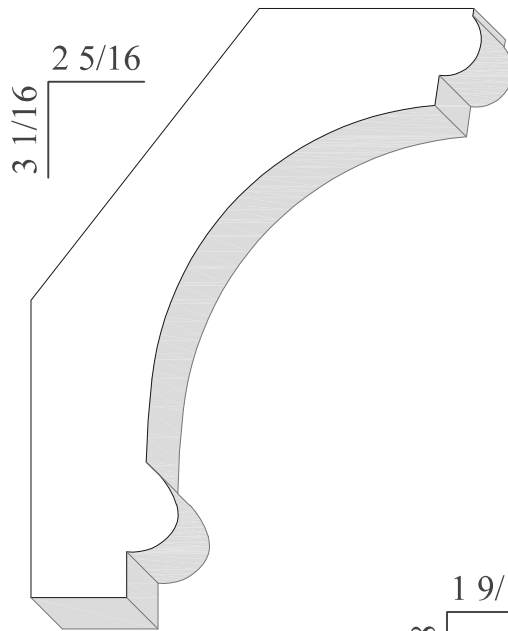


CT MOLDINGS

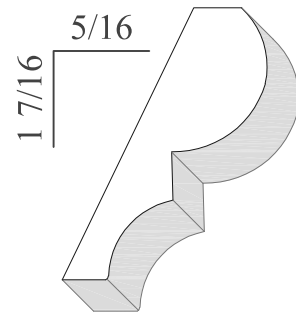
CROWN



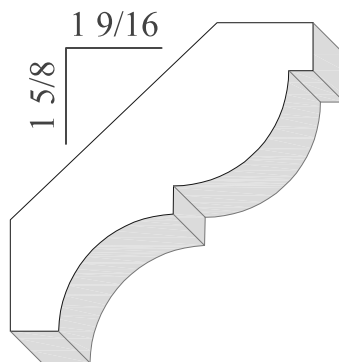
CTM | CR | 2063



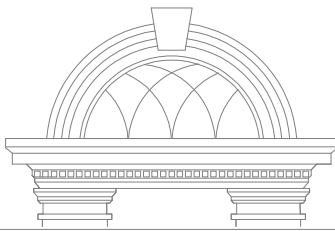
CTM | CR | 2064



CTM | CR | 2065

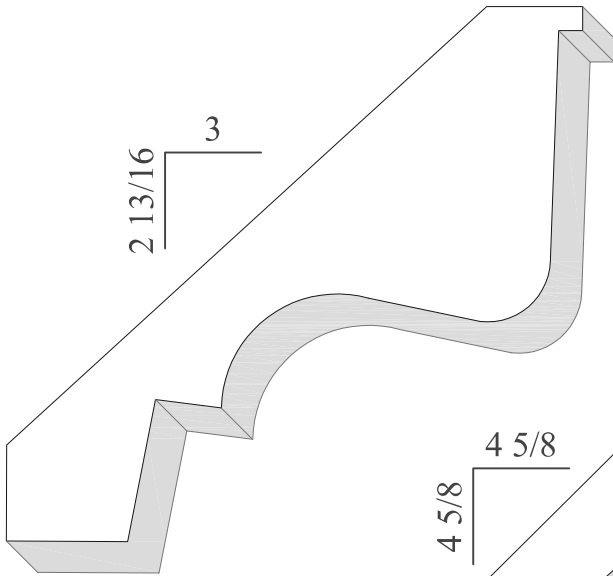


CTM | CR | 2066

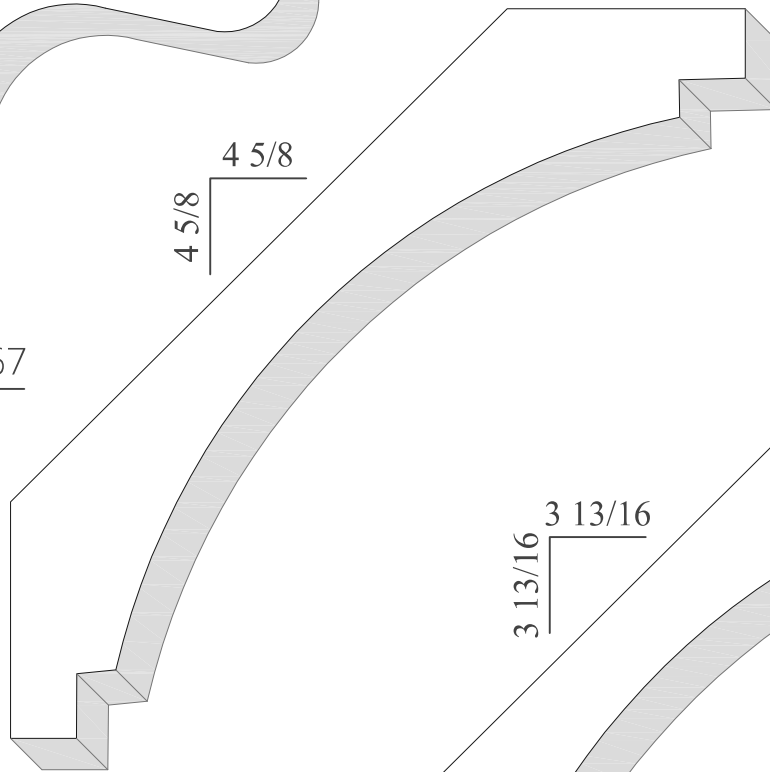


CT MOLDINGS

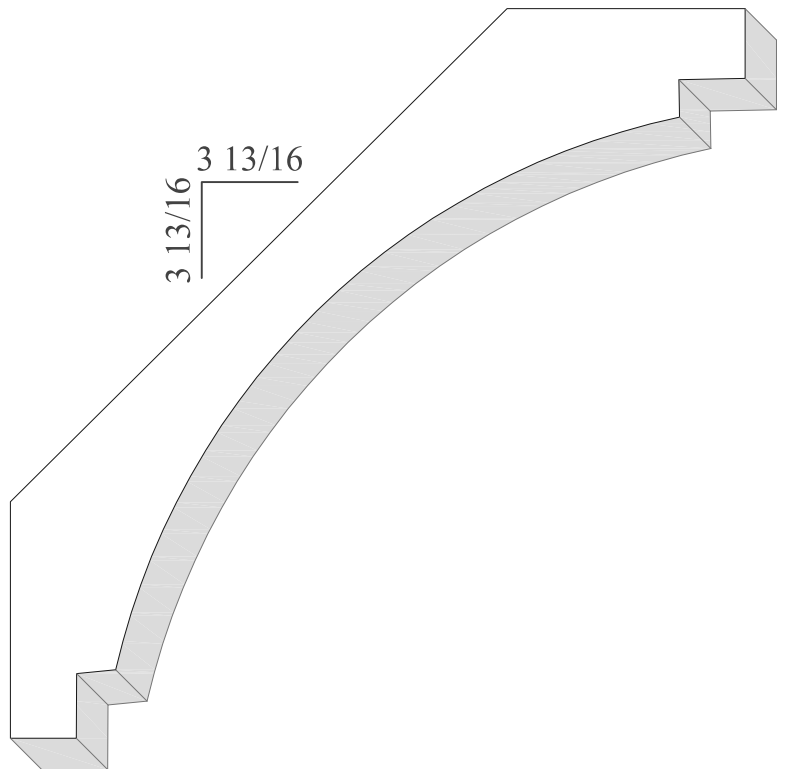
CROWN



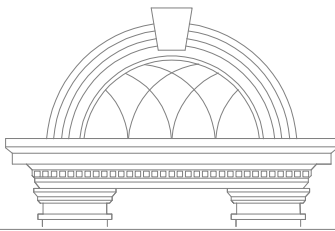
CTM | CR | 2067



CTM | CR | 2068

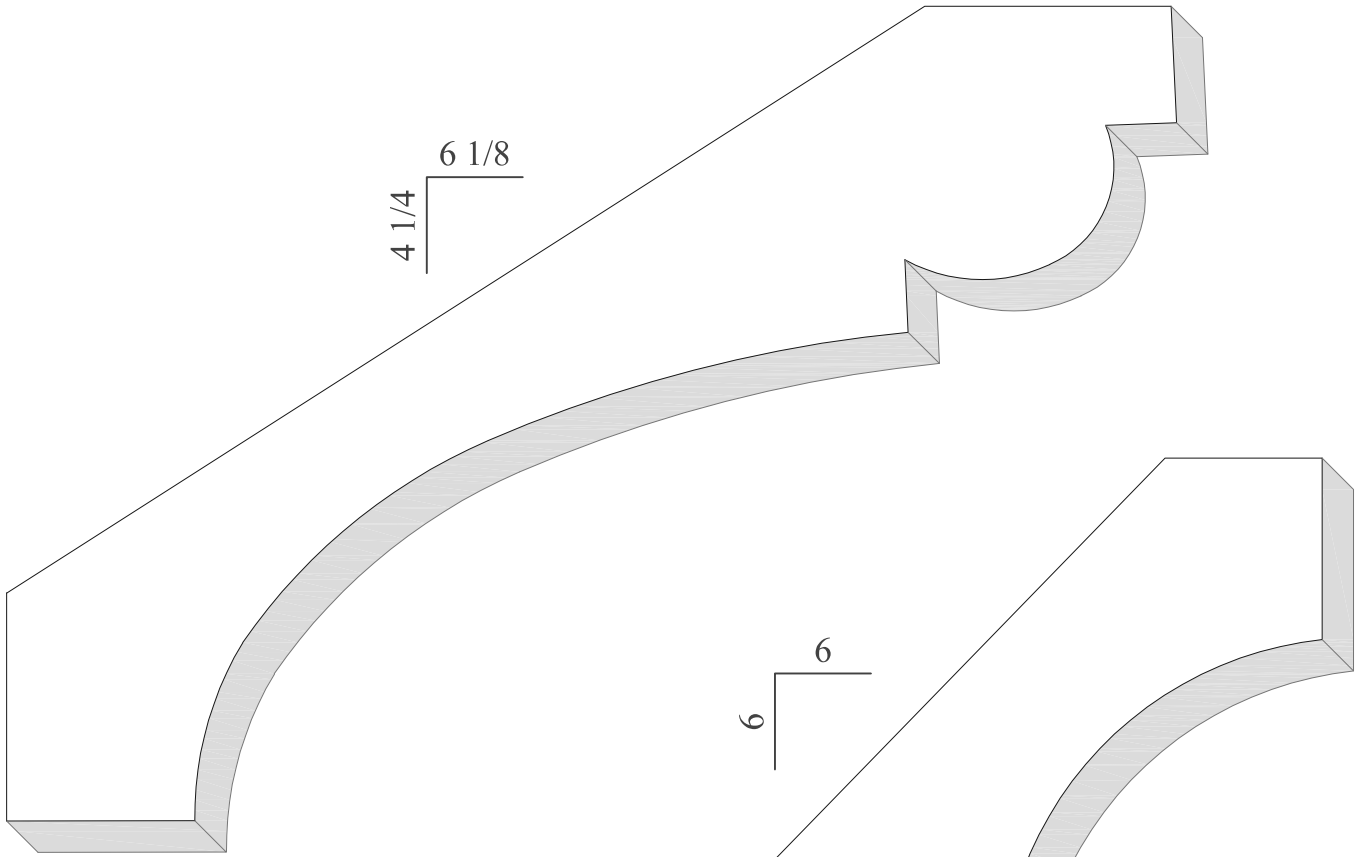


CTM | CR | 2069

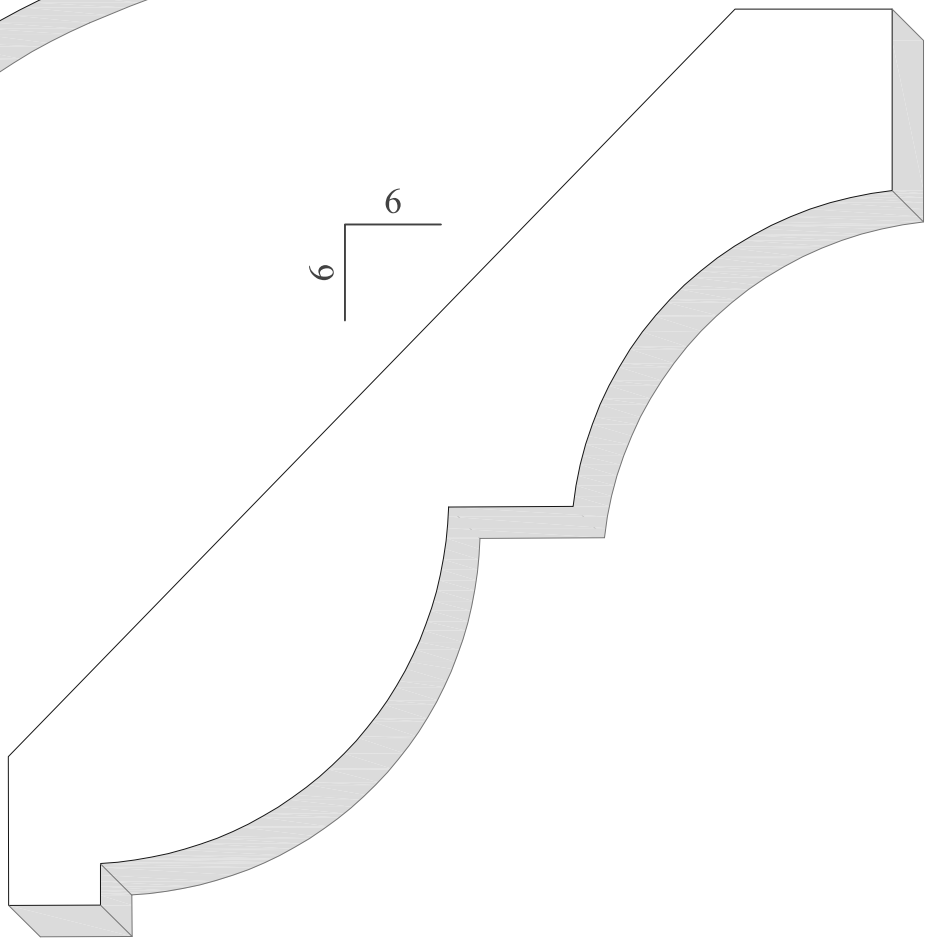


CT MOLDINGS

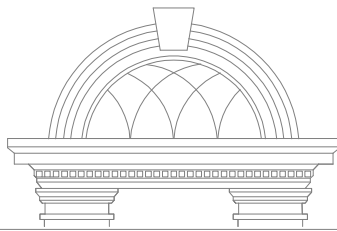
CROWN



CTM | CR | 2069.1

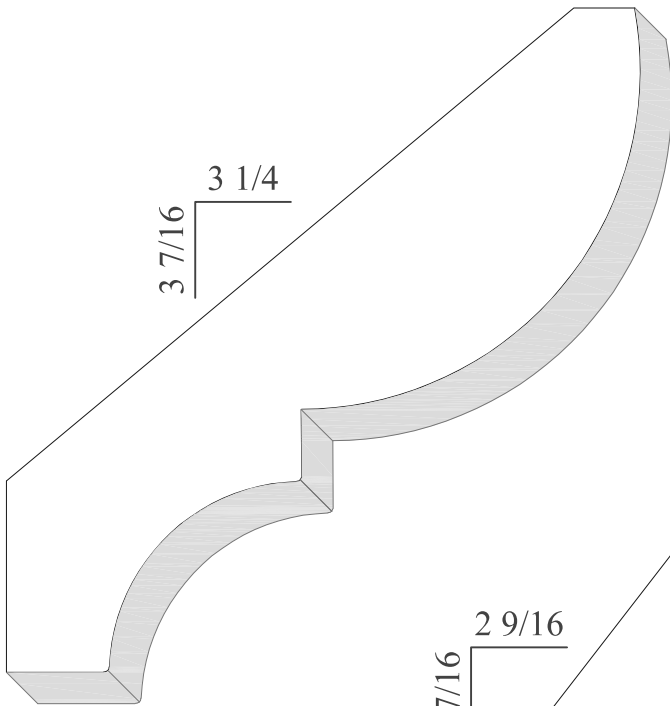


CTM | CR | 2070

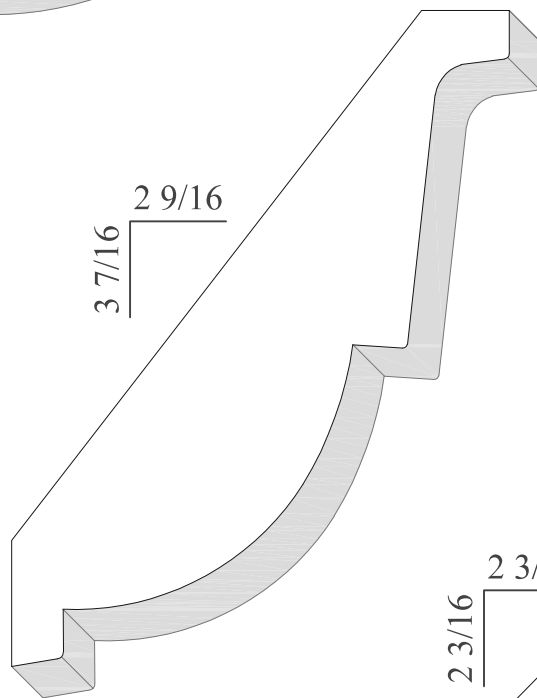


CT MOLDINGS

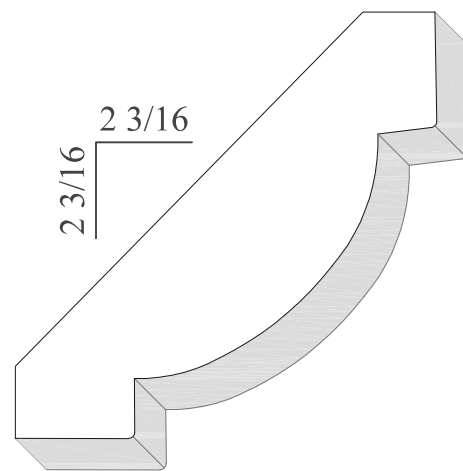
CROWN



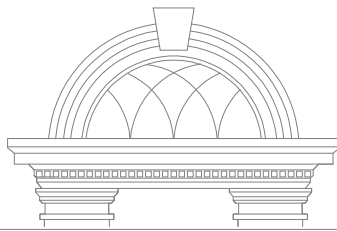
CTM | CR | 2071



CTM | CR | 2072

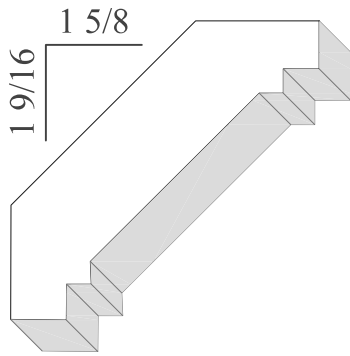


CTM | CR | 2073

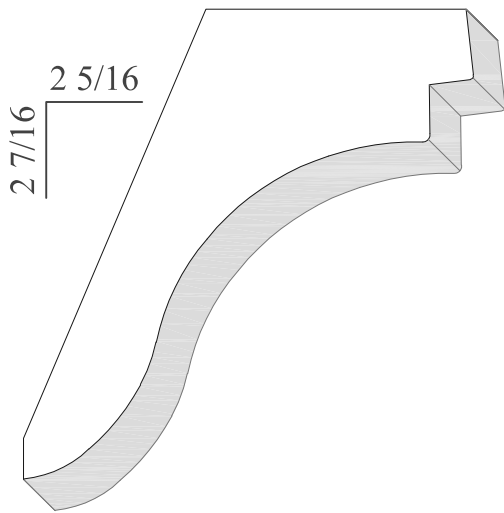


CT MOLDINGS

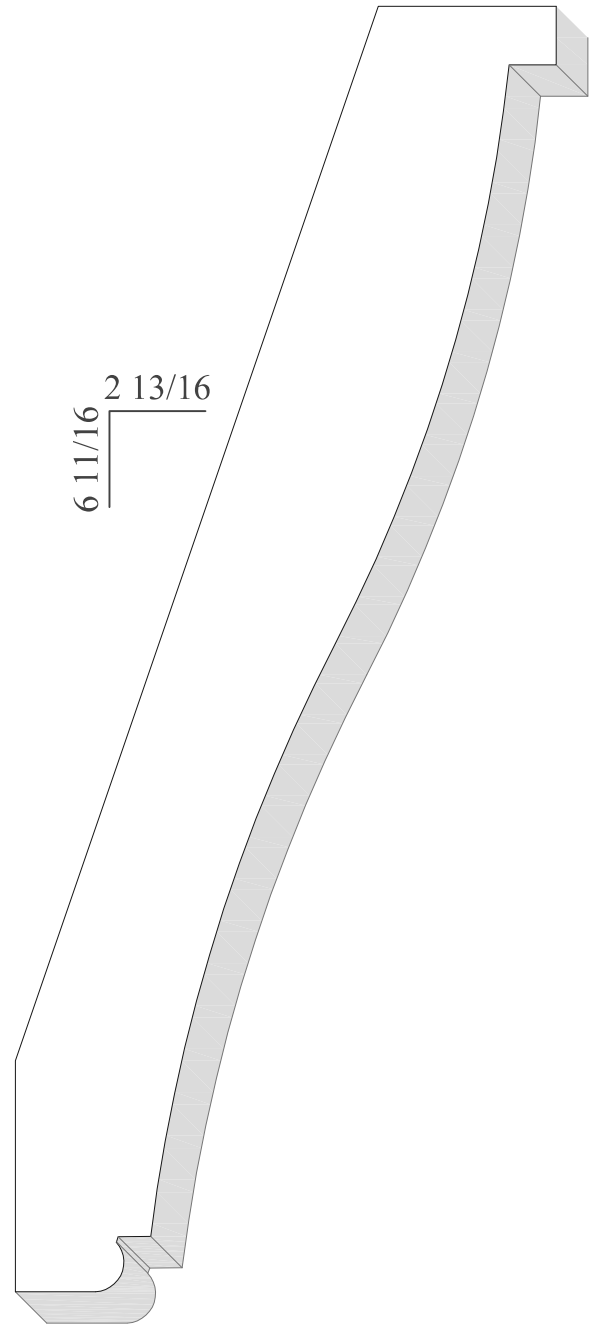
CROWN



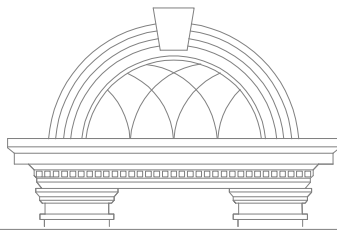
CTM | CR | 2074



CTM | CR | 2075

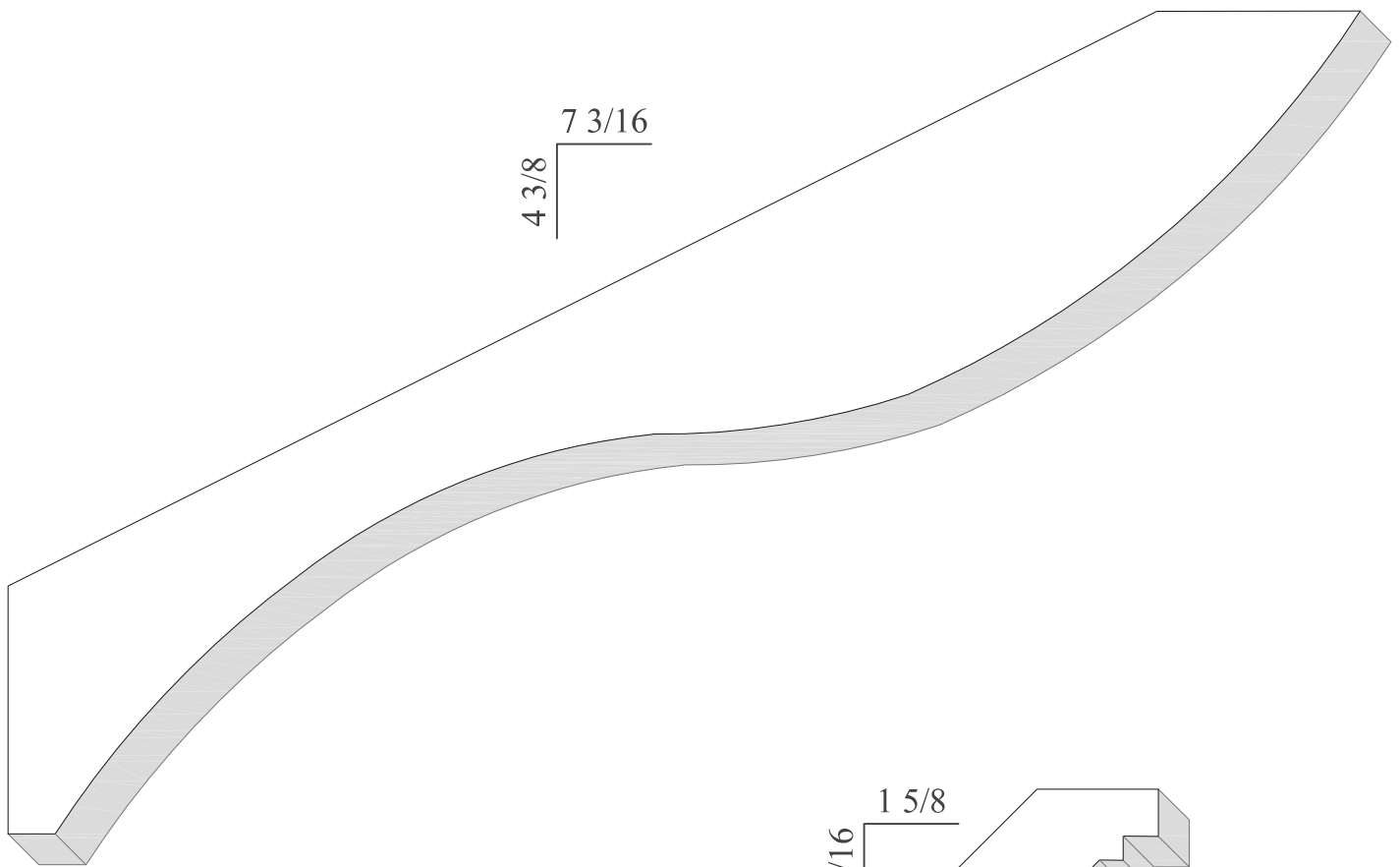


CTM | CR | 2076

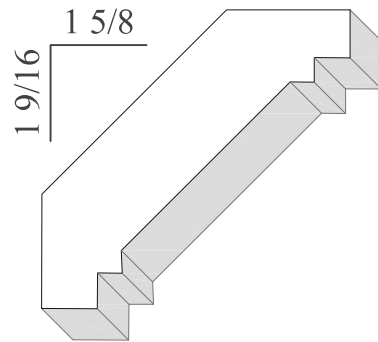


CT MOLDINGS

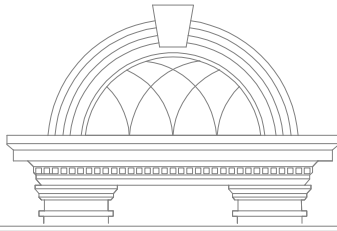
CROWN



CTM | CR | 2077

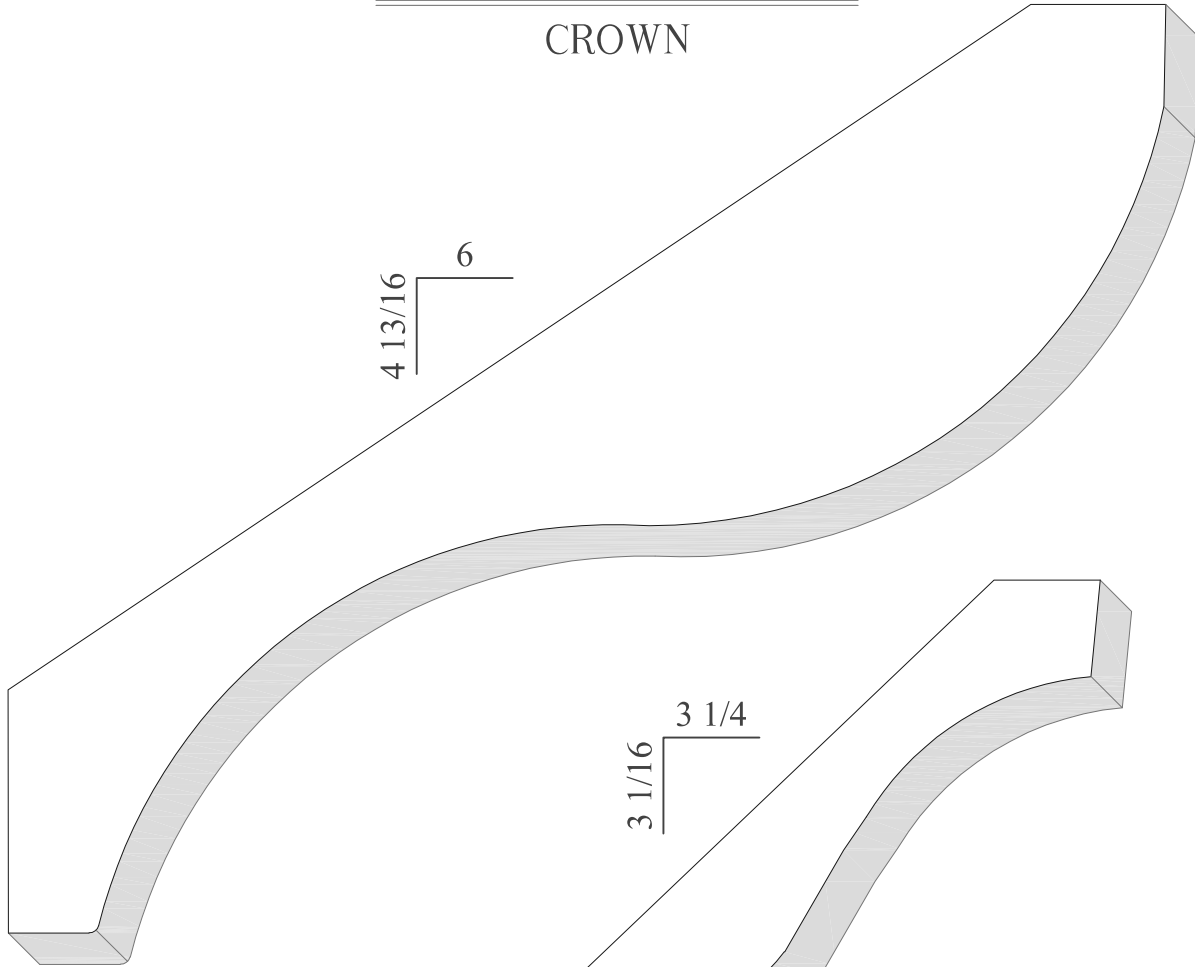


CTM | CR | 2078

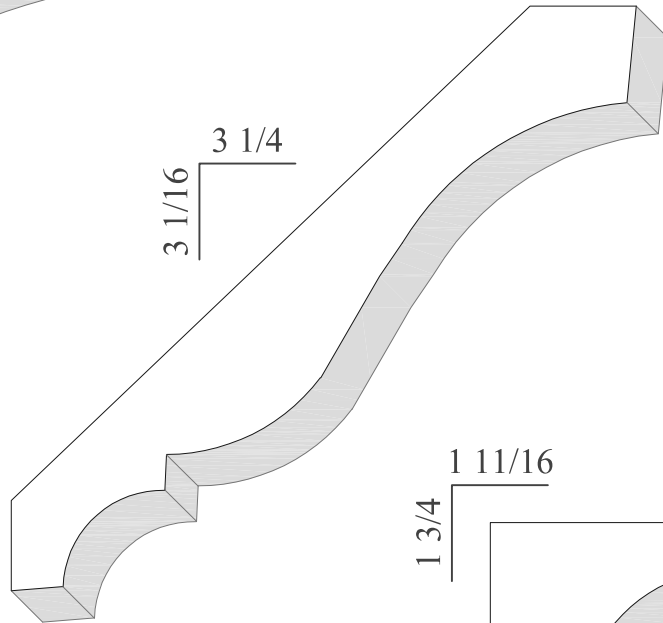


CT MOLDINGS

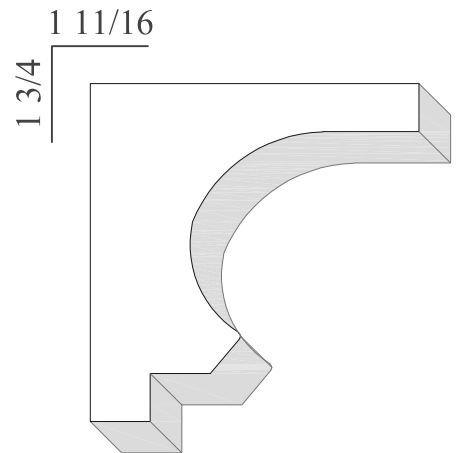
CROWN



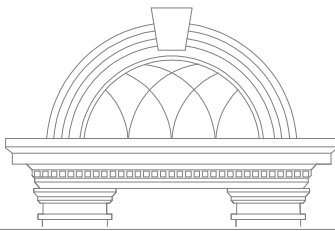
CTM | CR | 2079



CTM | CR | 2081

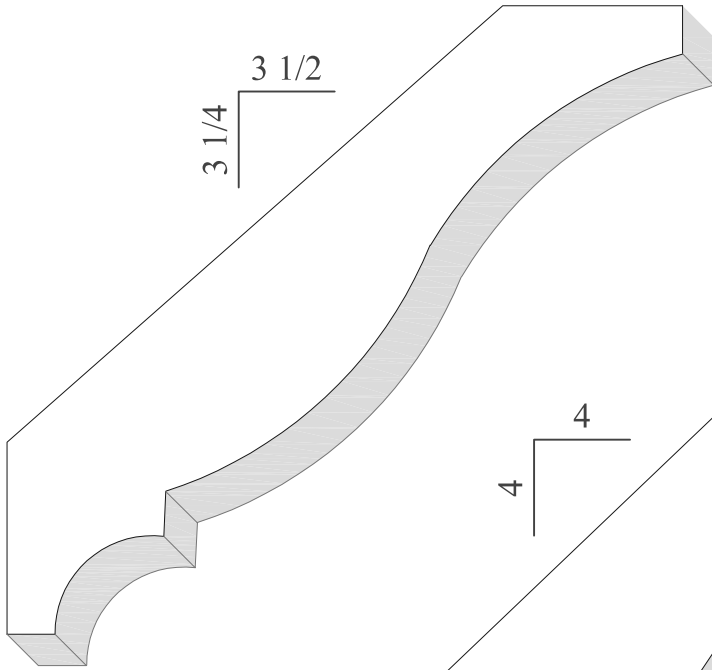


CTM | CR | 2080

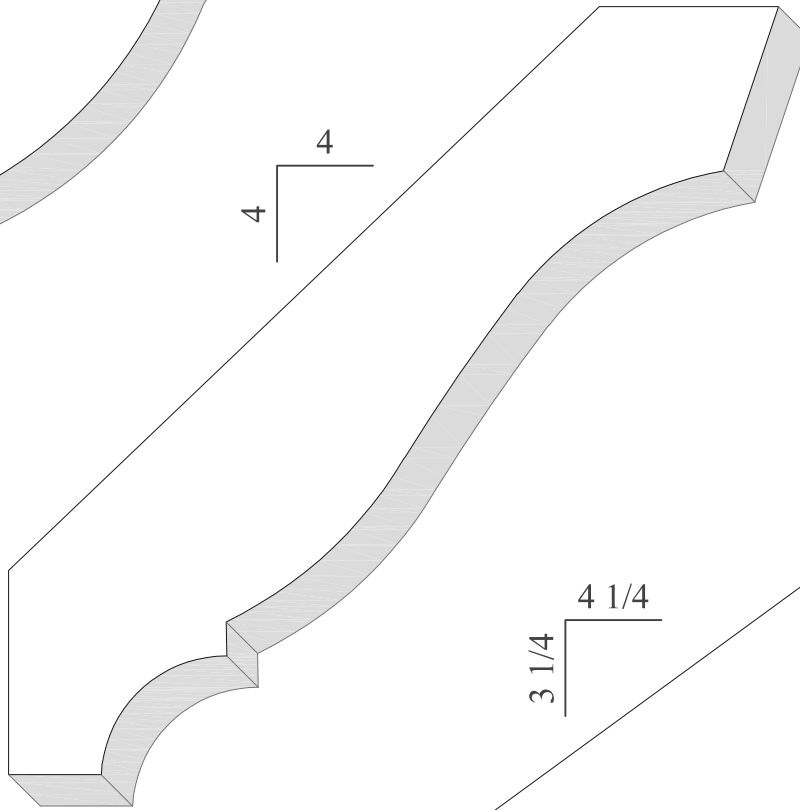


CT MOLDINGS

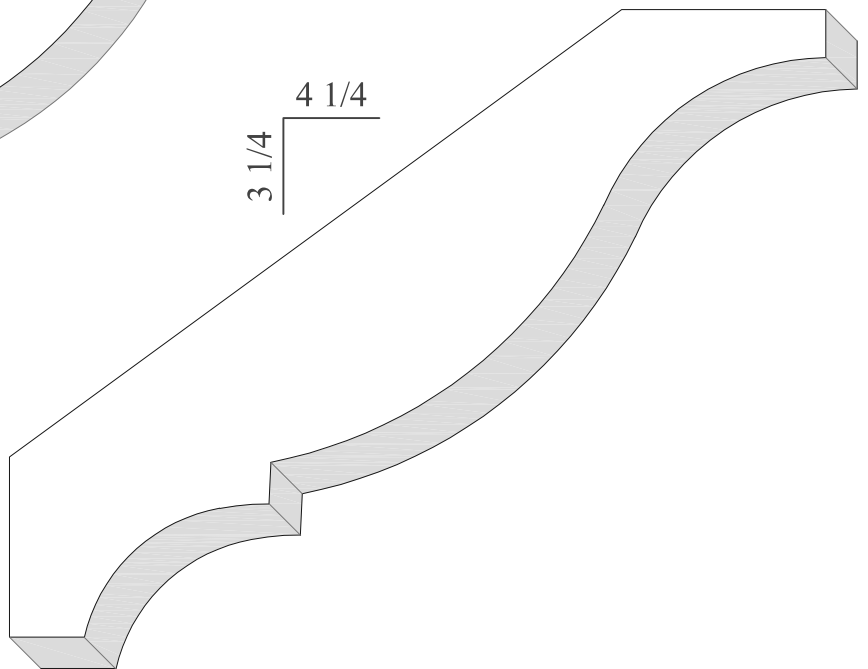
CROWN



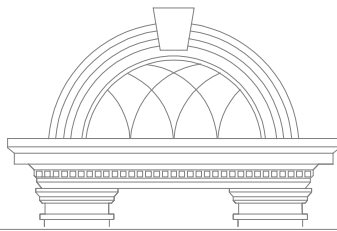
CTM | CR | 2082



CTM | CR | 2083

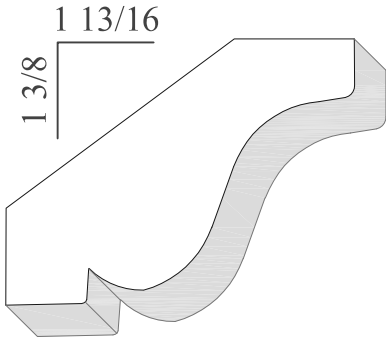


CTM | CR | 2084

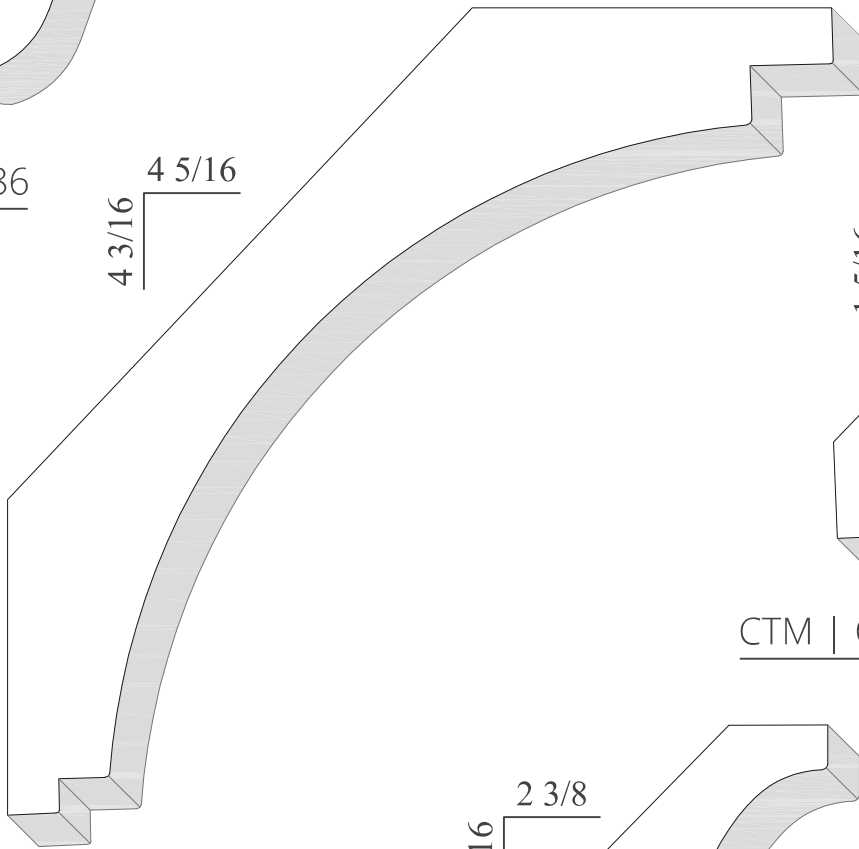


CT MOLDINGS

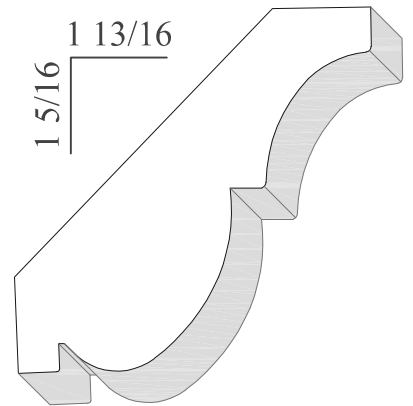
CROWN



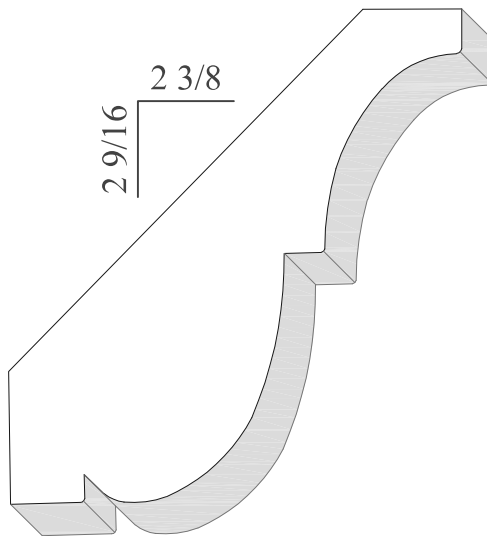
CTM | CR | 2086



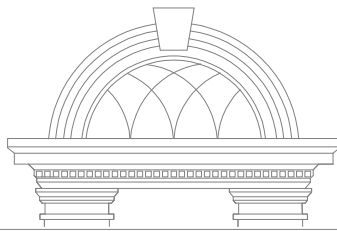
CTM | CR | 2087



CTM | CR | 2088

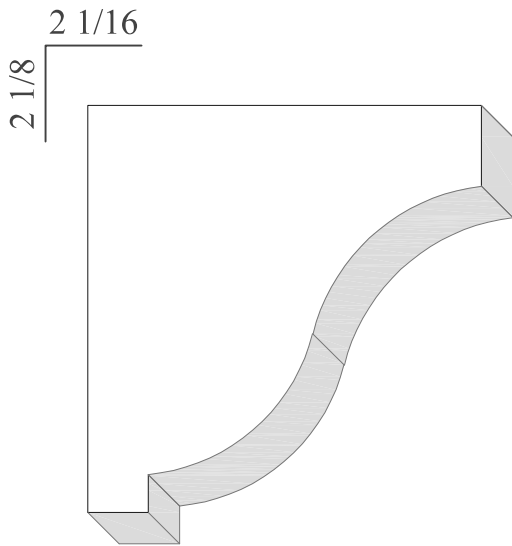


CTM | CR | 2089

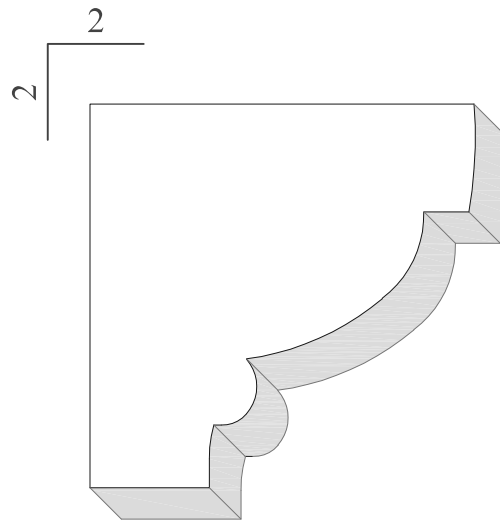


CT MOLDINGS

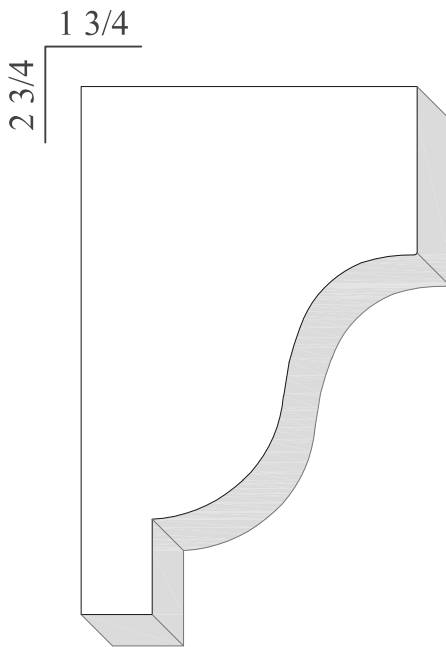
SOLID CROWN



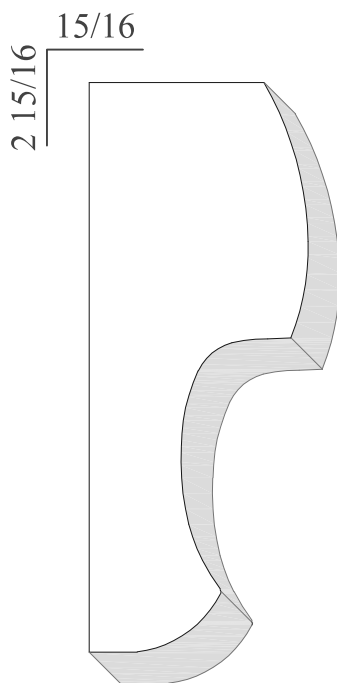
CTM | CR | 2085



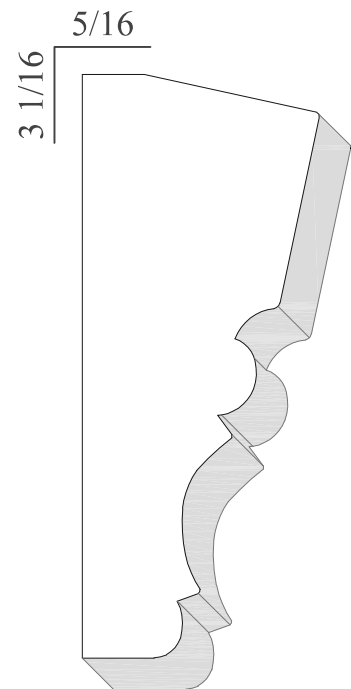
CTM | CR | 2085.1



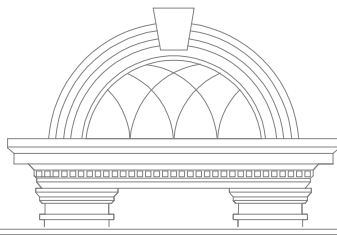
CTM | CR | 2085.2



CTM | CR | 2085.3

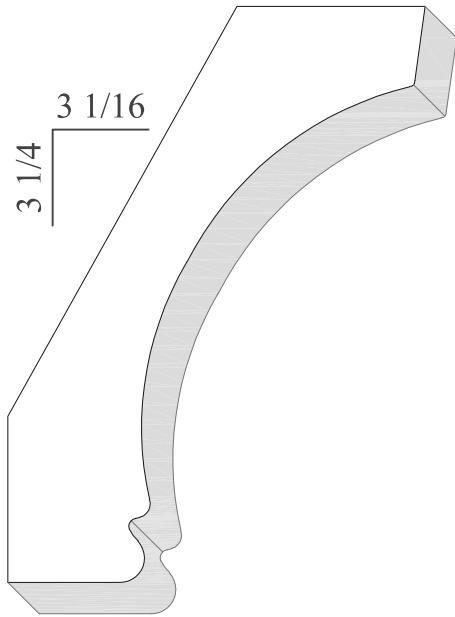


CTM | CR | 2085.4

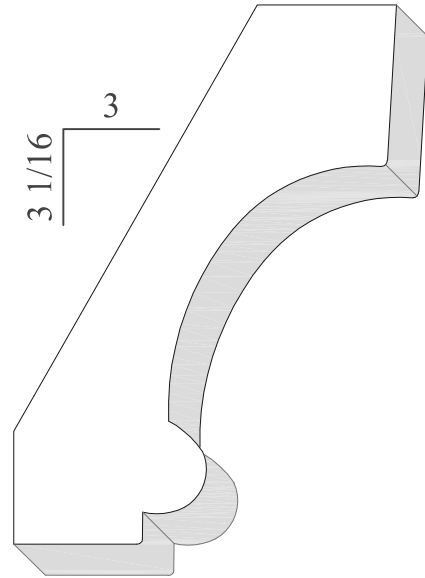


CT MOLDINGS

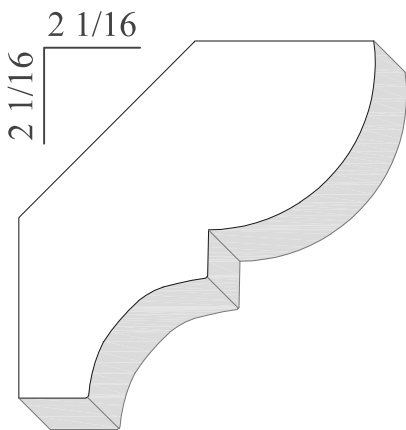
CURVED CROWN



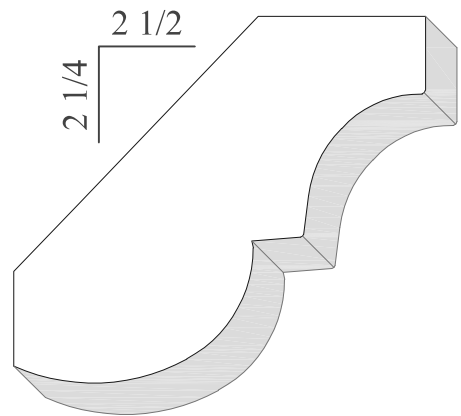
CTM | CR | 2500



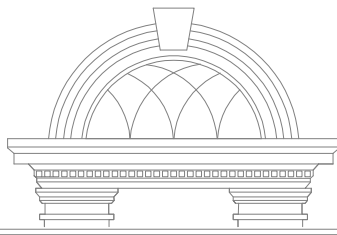
CTM | CR | 2501



CTM | CR | 2502

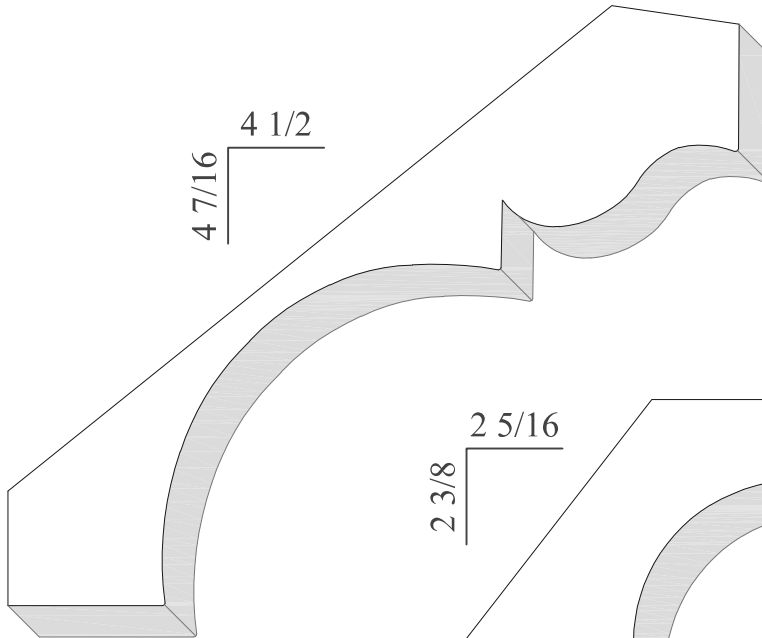


CTM | CR | 2503

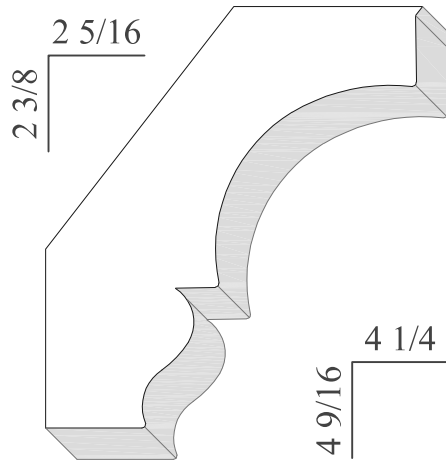


CT MOLDINGS

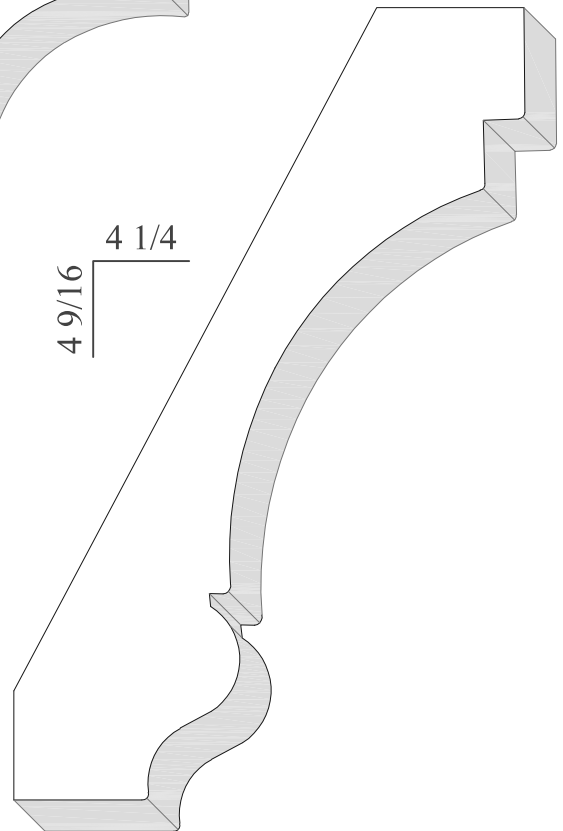
CURVED CROWN



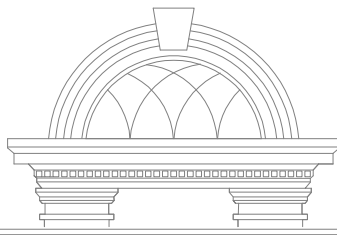
CTM | CR | 2504



CTM | CR | 2505

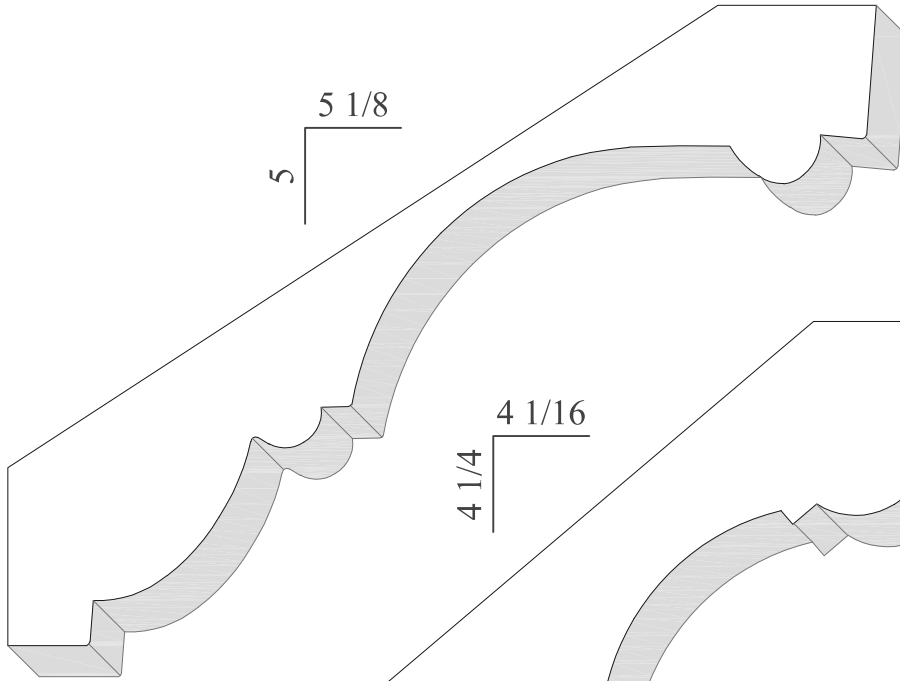


CTM | CR | 2506

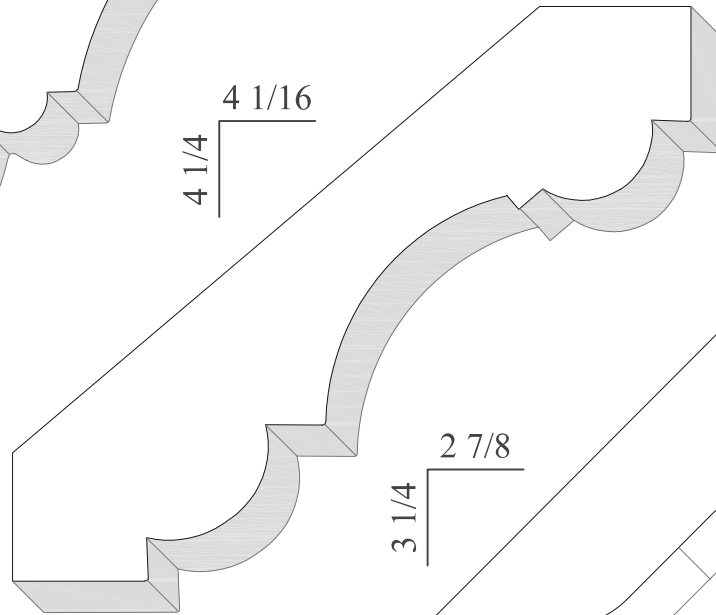


CT MOLDINGS

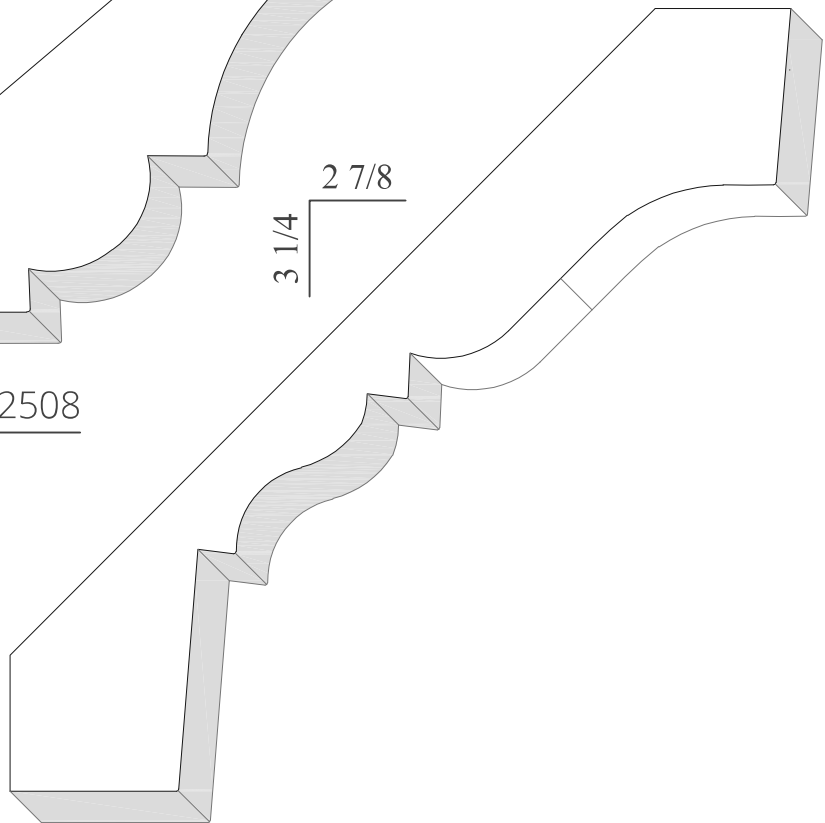
CURVED CROWN



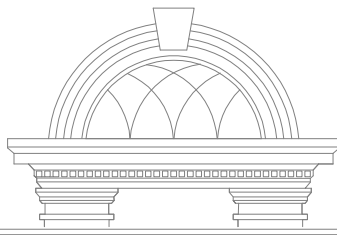
CTM | CR | 2507



CTM | CR | 2508

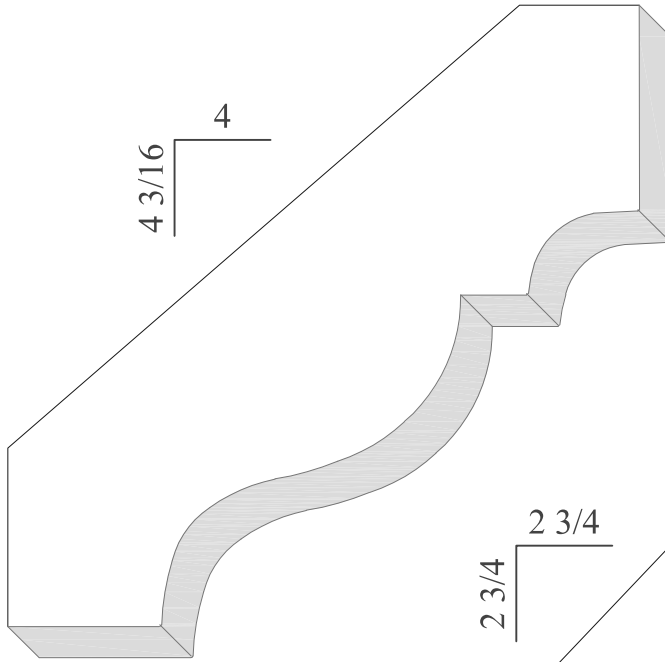


CTM | CR | 2509

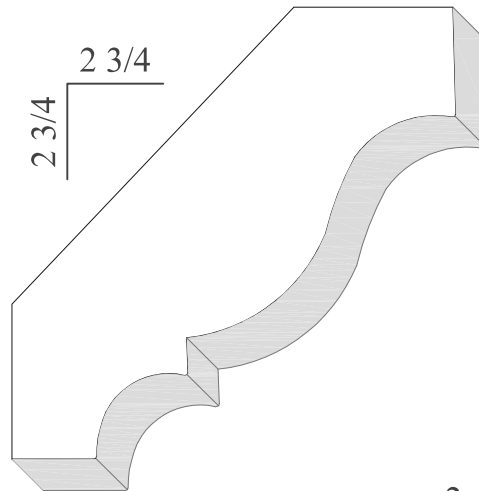


CT MOLDINGS

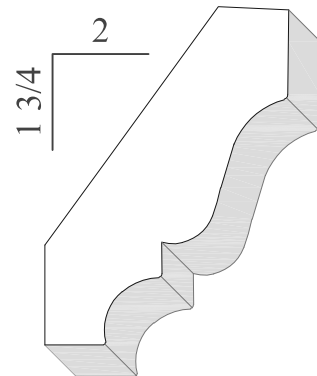
CURVED CROWN



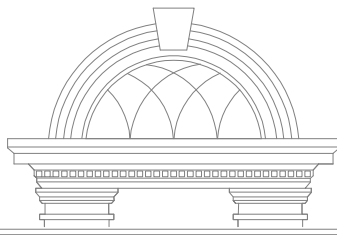
CTM | CR | 2510



CTM | CR | 2511

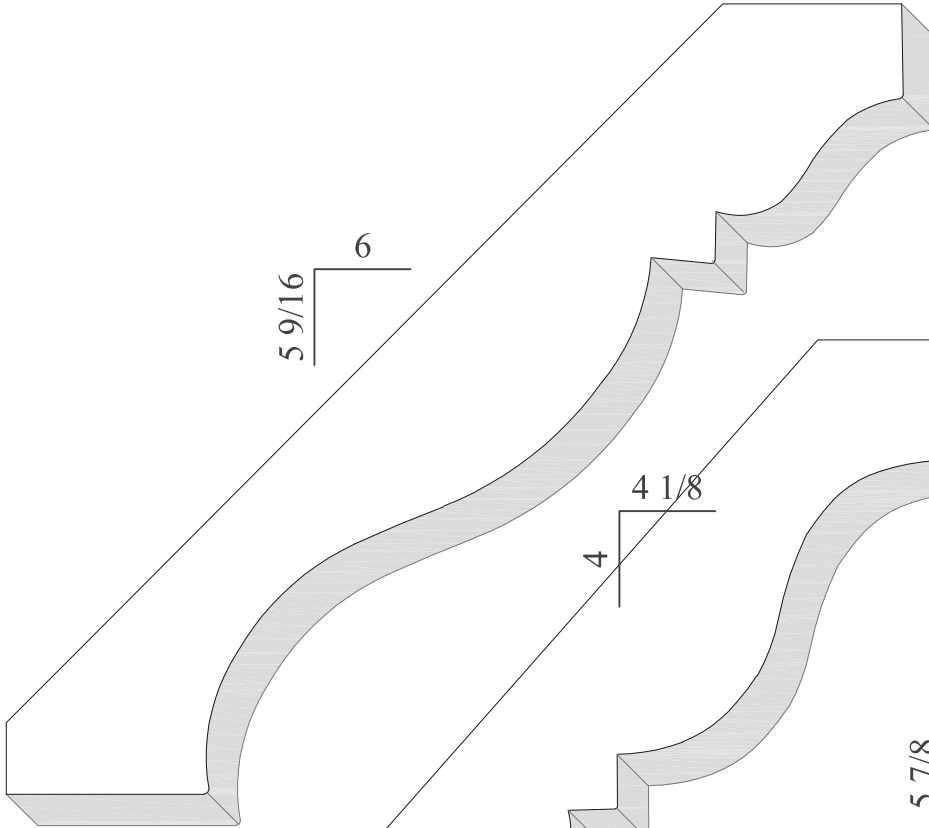


CTM | CR | 2512

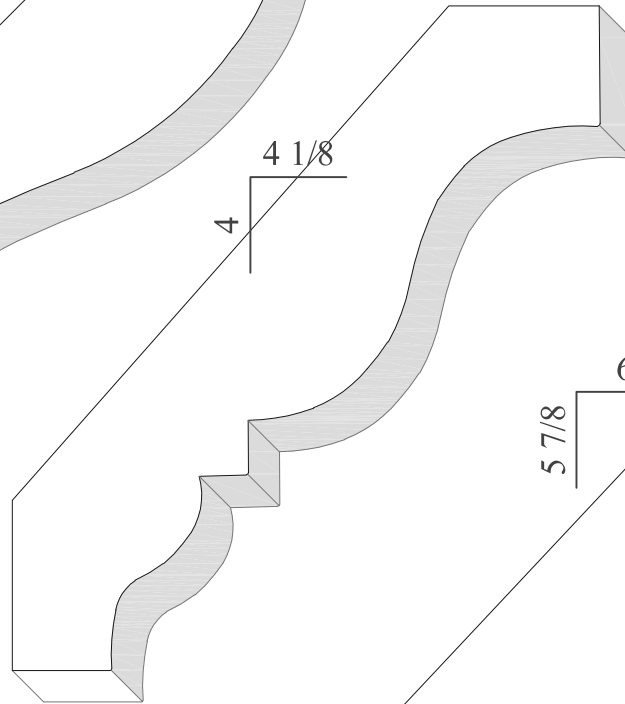


CT MOLDINGS

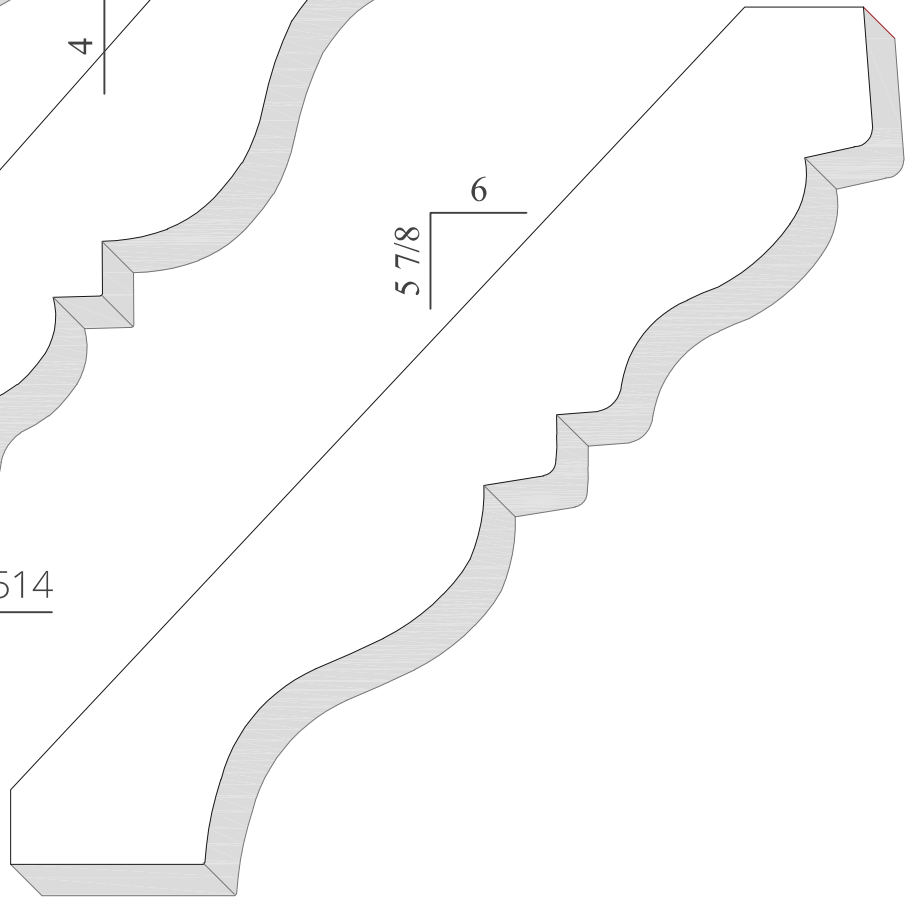
CURVED CROWN



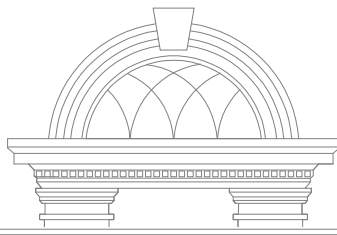
CTM | CR | 2513



CTM | CR | 2514

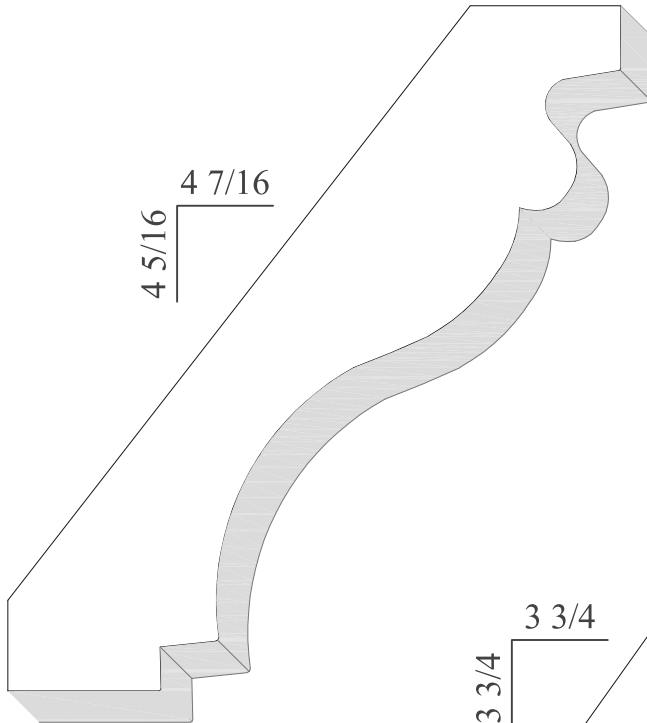


CTM | CR | 2515

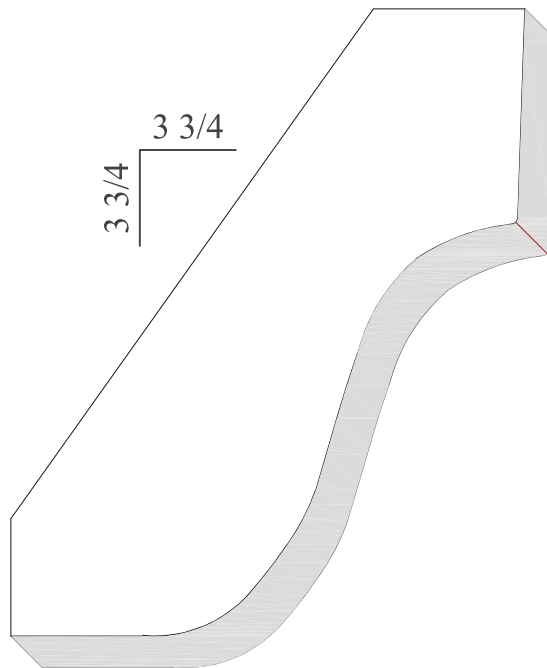


CT MOLDINGS

CURVED CROWN



CTM | CR | 2516



CTM | CR | 2517